

Unit:mm

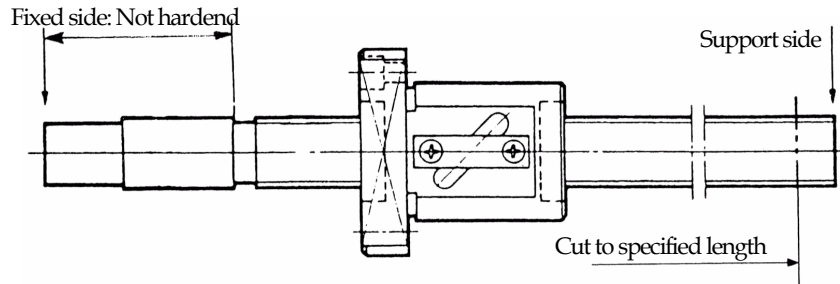
## Delivery at Short Notice!!

Customers will be happy to know that due to our efforts to use standard total lengths, we can deliver shafts from available stocks at short notice. Shaft ends are machinable and our deliveries include the required length and shaft-end machining.

The bearing part on the fixed side is not hardened so that machining operations can be performed later without difficulty.

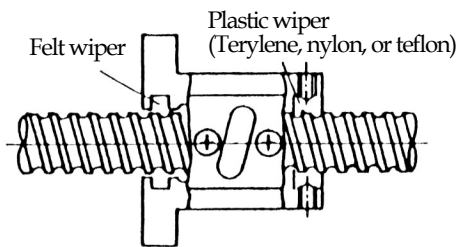
Type	Accuracy class	Cumulative read error	Gap in shaft direction
KBS	C5	0.023/315 max.	0.005 max.
KBSC	C7	0.05/300 max.	0.030 max.

The support side is hardened to a surface hardness of HR C 58-62 and should therefore be turned or ground with an ultra-hard bit.



## Dust Protection

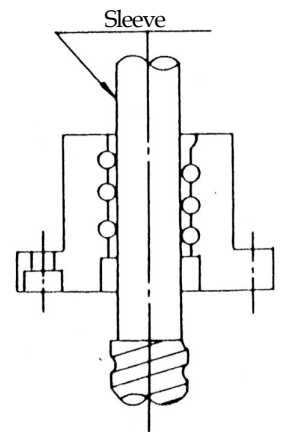
KBS and KBSC Series Bore Threads are provided with an anti-dust wiper as standard (except for shaft dia. 8.10). To upgrade dust protection efficiency it is recommended to install an additional dust protection devices (JABARA or ELASTICON, for example).



To facilitate the machining operations for the bearings, be sure to use the accessory sleeve when the nut is separated from the threaded shaft.

### Nut Removal and Attachment:

- Hold threaded shaft vertically, push sleeve against the end of the threaded shaft, and gently turn nut taking care not to apply excessive force.
- After the nut has been moved onto the sleeve be sure to hold the sleeve with the nut in the horizontal position to prevent the nut from falling.



## Lubrication

Use a suitable lubricant to lubricate the bore thread. If a grease is used, the lubricant should be a lithium soap-based grease with superior water and heat resistance. If an oil is employed, be sure to use a #90-180 spindle or turbine oil.

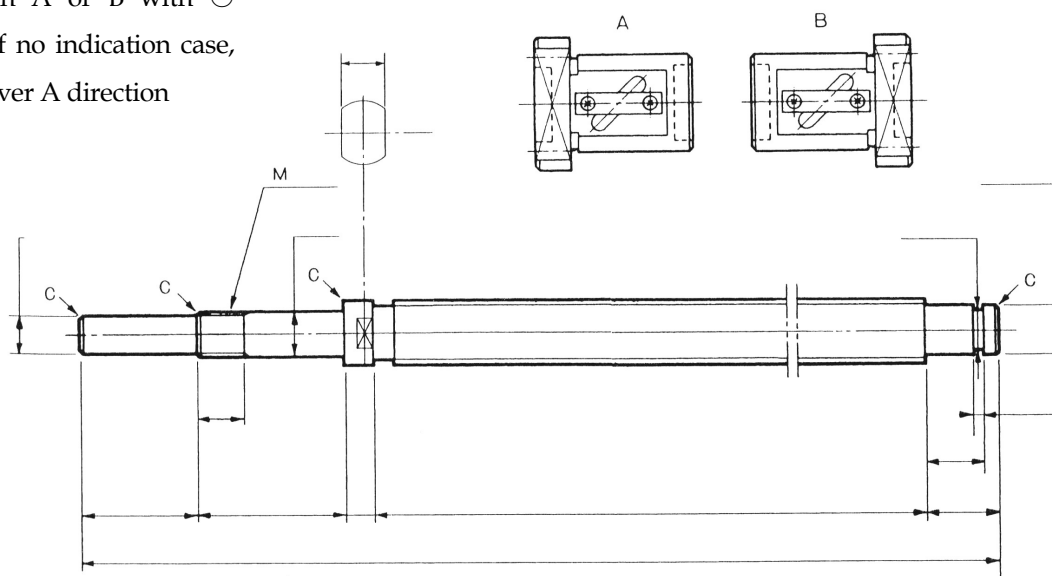
Lubricant	Application	Tradename	Manufacture's Name
Grease	For general purposes	Albania Grease No.2	Showa Shell Petroleum Co.,Ltd.
		Mobilux No.2	Mobil Oil
	For low-temperature use	Daphne Colonex Grease No.2	Idemitsu Kyosan
		Maru-Temp PS No.2	Kyodo Yushi
Oil	For general purposes	Maru-Temp LRL	Kyodo Yushi
		Daphne Mechanic Oil 52	Idemitsu Kyosan
		Mobil Vactro Oil Heavy	Mobil Oil

## Order · Quotation · Communication (FAX)

Date: . . .

Customer's Name	Used Machine Name
Address 〒	Part of Use
Name of Charged Person	Maximum Axial Load
Dep. in Charge	Method of Shaft Support
TEL No.	Maximum Rev.
FAX No.	Lubrications

Please show us the flange direction A or B with ○ mark, if no indication case, we deliver A direction



KBS:C5 class KBSC:C7 class		Model No.	QTY.	Yours Delivery	@	Ours Delivery	Date:
KBS	KBSC	□□□□—□□□□		/		/	/
				/			
				/			Responser
<Note>							

## QZAK SEIKŌ CO.,LTD.

Head Office	1550, Matoba, Kawagoe-City, Saitama Pref, Japan.	
Yokohama Office	1-19-17, Katutaminami, Tuzuki-ku, Yokohama-City, Japan.	Phone:049-233-7691
Osaka Office	2-3-12, Suehiro-cho, Yao-City, Osaka, Japan.	Phone:045-942-1951
Keiji Office	OFFICE21, 97-1, Kamimagari, Ritto-City, Shiga Pref, Japan.	Phone:0729-94-8588
Nagoya Office	1-1-3, Nishihioki, Nakagawa-ku, Nagoya-City, Japan.	Phone:077-552-7311
Sendai Office	1-35, Minami-Machi, Rokuchonome, Wakabayashi-ku, Sendai-City, Japan.	Phone:052-322-1271
Seoul	RM No.301 Dae Myung Bldg, 98-10 Kuro 6 Dong Kuro-ku Seoul 152-056 Korea	Phone:022-288-1585
Singapore	BIK66 Kallang Bahru #01-517, Singapore 330066	Phone:02-864-7081
Malaysia	Lot.18 The Highway Centre, Jalan 51/205, 46050 Petaling Jaya Selangor D.E. Malaysia	Phone:02-864-7083
		Phone:02-864-7083
		Phone:02-864-7083
		Phone:02-864-7081
		Phone:65-6295-8700
		Phone:60-3-7784-7717

Fax. 049-233-7696	Fax. 049-233-7696
Fax. 045-942-1955	Fax. 045-942-1955
Fax. 0729-22-5489	Fax. 0729-22-5489
Fax. 077-552-7312	Fax. 077-552-7312
Fax. 052-322-1274	Fax. 052-322-1274
Fax. 022-288-1586	Fax. 022-288-1586
Fax. 02-864-7083	Fax. 02-864-7083
Fax. 65-6291-8700	Fax. 65-6291-8700
Fax. 60-3-7784-7719	Fax. 60-3-7784-7719