

Table 4: LF series

unit: mm

Model Number		Major Dimensions								Basic Load Ratings(N)	
Standard	Rustproof	d	D	L	D _f	t	D _p	S	C	C ₀	
LF16MF	MLF16MF	16 ⁰ _{-0.009}	28 ⁰ _{-0.021}	48	48	6	38	M4	768	650	
LF20MF	MLF20MF	20	32	53	54	8	43	M5	1282	1010	
LF25MF	MLF25MF	25 ⁰ _{-0.010}	40 ⁰ _{-0.025}	70	62	8	51	M5	2164	1790	
LF30MF	MLF30MF	30	45	75	74	10	60	M6	3245	2510	

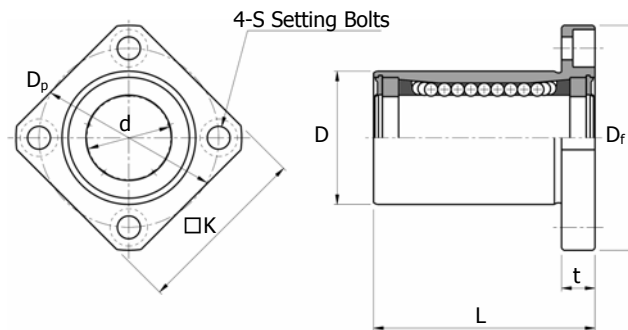


Table 5: LFK series

unit: mm

Model Number		Major Dimensions								Basic Load Ratings(N)	
Standard	Rustproof	d	D	L	D _f	K	t	D _p	S	C	C ₀
LFK16MF	MLFK16MF	16 ⁰ _{-0.009}	28 ⁰ _{-0.021}	48	48	37	6	38	M4	768	650
LFK20MF	MLFK20MF	20	32	53	54	42	8	43	M5	1282	1010
LFK25MF	MLFK25MF	25 ⁰ _{-0.010}	40 ⁰ _{-0.025}	70	62	50	8	51	M5	2164	1790
LFK30MF	MLFK30MF	30	45	75	74	58	10	60	M6	3245	2510