

GTA

GTAW

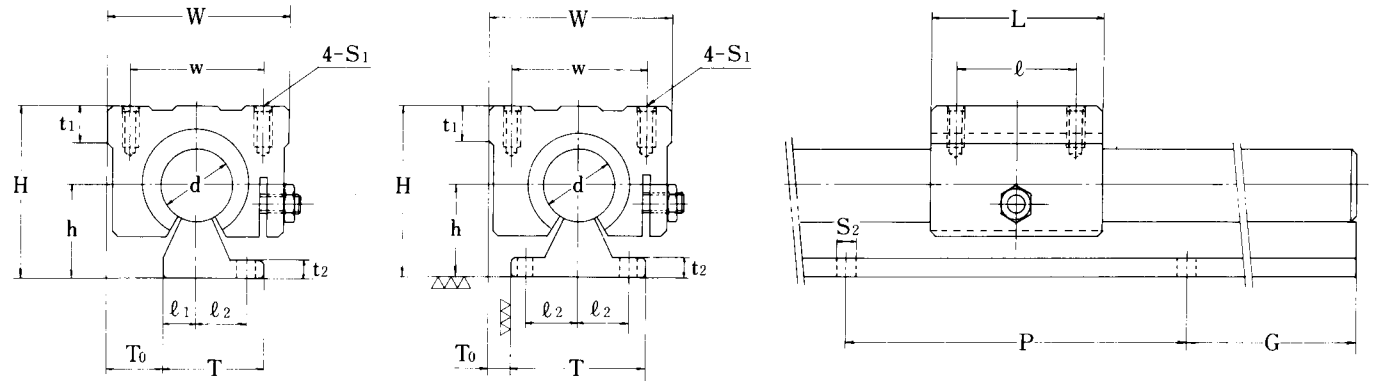


Table 86 : GTA, GTAW Series Dimensions Table

Model No.	Ass'y Dimensions (mm)				Housing Dimensions (mm)						Rail Dimensions (mm)						Basic Load Ratings (kgf)		
	d	h	H	T <sub>0</sub>	W	L	w	l	t <sub>1</sub>	S <sub>1</sub>	T	l <sub>1</sub>	l <sub>2</sub>	t <sub>2</sub>	S <sub>2</sub>	G	P	C	C <sub>0</sub>
<b>GTA16</b>	16	25	45 <sup>±0.2</sup>	17 <sup>±0.2</sup>	50	45	36	30	9	M5×12	28	8	15	5	φ5.5	50	100	46	76
<b>GTAW16</b>			45 <sup>±0.02</sup>	5 <sup>±0.025</sup>															
<b>GTA20</b>	20	27	50 <sup>±0.2</sup>	17 <sup>±0.2</sup>	54	50	40	35	11	M5×12	30	10	15	5	φ5.5	50	100	52	103
<b>GTAW20</b>			50 <sup>±0.02</sup>	7 <sup>±0.025</sup>															

\* Materials : Housing Aluminum, Shaft SUJ-2, Supporter Aluminum

GTA

GTAW

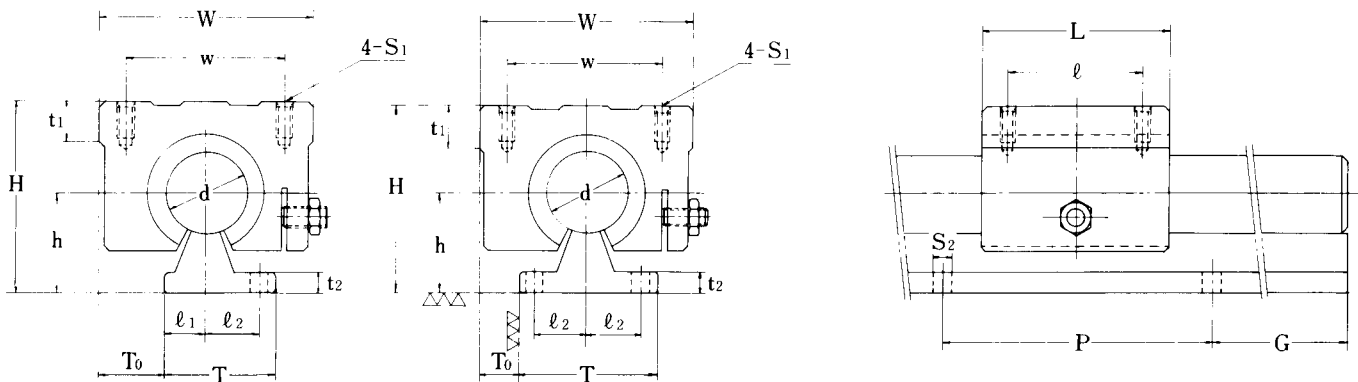


Table 87 : GTA, GTAW Series Dimensions Table

Model No.	Ass'y Dimensions (mm)				Housing Dimensions (mm)						Rail Dimensions (mm)						Basic Load Ratings (kgf)		
	d	h	H	T <sub>0</sub>	W	L	w	l	t <sub>1</sub>	S <sub>1</sub>	T	l <sub>1</sub>	l <sub>2</sub>	t <sub>2</sub>	S <sub>2</sub>	G	P	C	C <sub>0</sub>
<b>GTA25</b>	25	32	60 <sup>±0.2</sup>	25.5 <sup>±0.2</sup>	76	65	54	40	12	M6×12	36.5	12.5	17.5	5	φ6.5	50	100	104	193
<b>GTAW25</b>			60 <sup>±0.02</sup>	14 <sup>±0.025</sup>															
<b>GTA30</b>	30	37	70 <sup>±0.2</sup>	24 <sup>±0.2</sup>	78	70	58	50	15	M6×15	41	15	20	7	φ6.5	50	100	148	226
<b>GTAW30</b>			70 <sup>±0.02</sup>	13 <sup>±0.025</sup>															

\* Materials : Housing Aluminum, Shaft SUJ-2, Supporter Aluminum

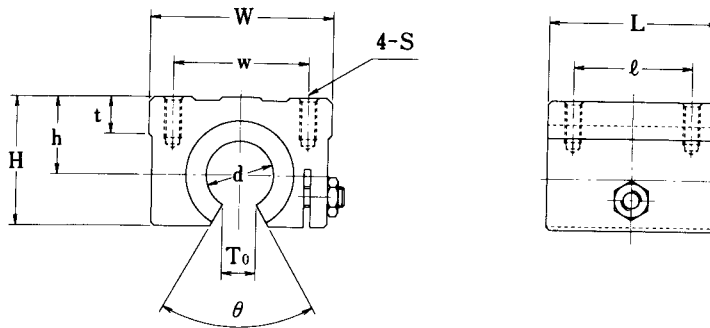


Table 90 : GTA-H Series Dimensions Table

Units : mm

Model No.	d	$h^{\pm 0.2}$	H	t	W	L	w	l	$T_0$	$\theta$	S	Weight (kgf)	C (kgf)	$C_0$ (kgf)
<b>GTA16H</b>	16	20	34	9	50	45	36	30	10.5	60°	M5×12	0.18	46	76
<b>GTA20H</b>	20	23	38	11	54	50	40	35	11.5	60°	M5×12	0.24	52	103
<b>GTA25H</b>	25	28	48	12	76	65	54	40	12.5	50°	M6×12	0.54	104	193
<b>GTA30H</b>	30	33	55	15	78	70	58	50	15.5	50°	M6×15	0.69	148	226

Material : Housing Aluminum