

Table 88 : GHA, GHAW Series Dimensions Table

Model No.	Ass'y Dimensions (mm)				Housing Dimensions (mm)						Rail Dimensions (mm)						Basic Load Ratings (kgf)		
	d	h	H	T ₀	W	L	w	ℓ	t ₁	S ₁	T	ℓ ₁	ℓ ₂	t ₂	S ₂	G	P	C	C ₀
GHA16	16	25	45 ^{±0.2}	14.5 ^{±0.2}	45	45	32	30	9	M5×12	28	8	15	5	φ5.5	50	100	46	76
GHAW16			45 ^{±0.02}	2.5 ^{±0.025}							40	—							
GHA20	20	27	50 ^{±0.2}	14 ^{±0.2}	48	50	35	35	11	M5×12	30	10	15	5	φ5.5	50	100	52	103
GHAW20			50 ^{±0.02}	4 ^{±0.025}							40	—							

*Materials : Housing Aluminum, Shaft SUJ-2, Supporter Aluminum

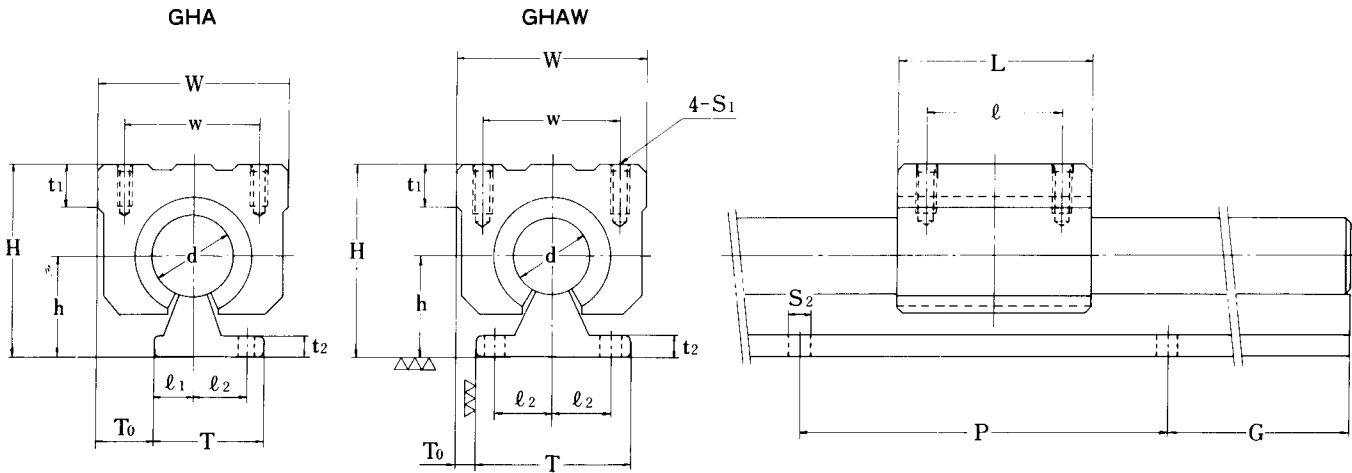


Table 89 : GHA, GHAW Series Dimensions Table

Model No.	Ass'y Dimensions (mm)				Housing Dimensions (mm)						Rail Dimensions (mm)						Basic Load Ratings (kgf)		
	d	h	H	T ₀	W	L	w	ℓ	t ₁	S ₁	T	ℓ ₁	ℓ ₂	t ₂	S ₂	G	P	C	C ₀
GHA25	25	32	60 ^{±0.2}	17.5 ^{±0.2}	60	65	40	40	12	M6×12	36.5	12.5	17.5	5	φ6.5	50	100	104	193
GHAW25			60 ^{±0.02}	6 ^{±0.025}							48	—							
GHA30	30	37	70 ^{±0.2}	20 ^{±0.2}	70	70	50	50	15	M6×12	41	15	20	7	φ6.5	50	100	148	226
GHAW30			70 ^{±0.02}	9 ^{±0.025}							52	—							

*Materials : Housing Aluminum, Shaft SUJ-2, Supporter Aluminum

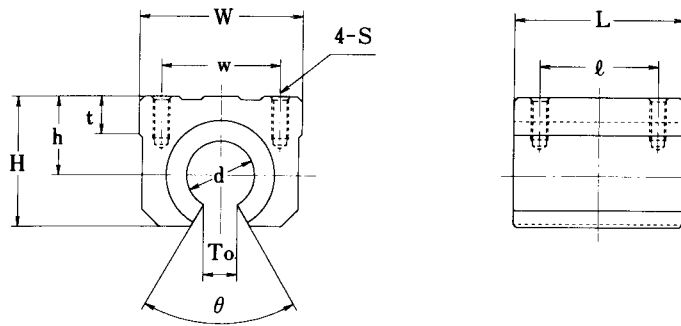


Table 91 : GHA-H Series Dimensions Table

Units : mm

Model No.	d	$h^{±0.2}$	H	t	W	L	w	ℓ	T ₀	θ	S	Weight (kgf)	C (kgf)	C ₀ (kgf)
GHA16H	16	20	34	9	45	45	32	30	10.5	60°	M5×12	0.15	46	76
GHA20H	20	23	38	11	48	50	35	35	11.5	60°	M5×12	0.20	52	103
GHA25H	25	28	48	12	60	65	40	40	12.5	50°	M6×12	0.42	104	193
GHA30H	30	33	55	15	70	70	50	50	15.5	50°	M6×12	0.60	148	226

Material : Housing Aluminum