

Table 104 : SLHA Series Dimensions Table

Model No.		Shaft Diameter d (mm)	Major Dimensions (mm)							Weight (kgf)	Basic Load Ratings	
Standard Type	Both Sides Sealed		H	$h^{+0.02}$	W	w	L	$l$	S		C (kgf)	$C_0$ (kgf)
SLHA16	SLHA16-UU	16	36	22	45	30	28	16	M5	0.10	44	29
SLHA20	SLHA20-UU	20	41	25	50	35	30	16	M6	0.14	61	41
SLHA25	SLHA25-UU	25	48	30	60	40	32	16	M6	0.19	99	63
SLHA30	SLHA30-UU	30	54	33	68	48	34	20	M8	0.25	108	72

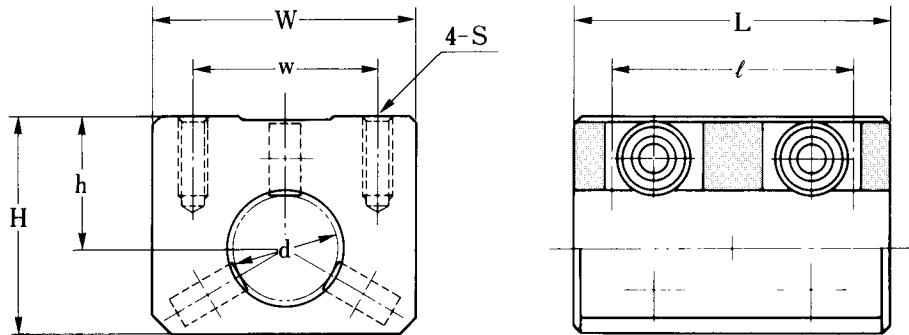


Table 105 : SLHB Series Dimensions Table

Model No.		Shaft Diameter d (mm)	Major Dimensions (mm)							Weight (kgf)	Basic Load Ratings	
Standard Type	Both Sides Sealed		H	$h^{+0.02}$	W	w	L	$l$	S		C (kgf)	$C_0$ (kgf)
SLHB16	SLHB16-UU	16	36	22	45	30	54	42	M5	0.20	82	58
SLHB20	SLHB20-UU	20	41	25	50	35	60	46	M6	0.27	114	82
SLHB25	SLHB25-UU	25	48	30	60	40	70	56	M6	0.46	184	126
SLHB30	SLHB30-UU	30	54	33	68	48	90	70	M8	0.70	202	144