

Table 107 : SLGA Series Dimensions Table

Model No.		Ass'y Dimensions (mm)				Housing Dimensions (mm)						Rail Dimensions (mm)					Basic Load Ratings	
Standard Type	Both Sides Sealed	d	h	$H^{\pm 0.02}$	$T_0^{\pm 0.025}$	H_0	W	w	L	ℓ	S_1	T	t	t_0	P	S_2	C (kgf)	C_0 (kgf)
SLGA16	SLGA16-UU	16	25	47	2.5	36	45	30	28	16	M5	40	30	8	100	M5	44	29
SLGA20	SLGA20-UU	20	27	52	5	41	50	35	30	16	M6	40	30	8	100	M5	61	41
SLGA25	SLGA25-UU	25	32	62	5	48	60	40	32	16	M6	50	35	9	100	M6	99	63
SLGA30	SLGA30-UU	30	37	70	6.5	54	68	48	34	20	M8	55	40	10	100	M6	108	72

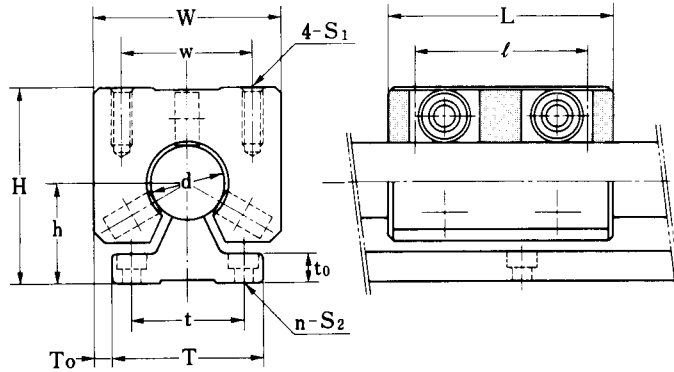


Table 108 : SLGB Series Dimensions Table

Model No.		Ass'y Dimensions (mm)				Housing Dimensions (mm)						Rail Dimensions (mm)					Basic Load Ratings	
Standard Type	Both Sides Sealed	d	h	$H^{\pm 0.02}$	$T_0^{\pm 0.025}$	H_0	W	w	L	ℓ	S_1	T	t	t_0	P	S_2	C (kgf)	C_0 (kgf)
SLGB16	SLGB16-UU	16	25	47	2.5	36	45	30	54	42	M5	40	30	8	100	M5	82	58
SLGB20	SLGB20-UU	20	27	52	5	41	50	35	60	46	M6	40	30	8	100	M5	114	82
SLGB25	SLGB25-UU	25	32	62	5	48	60	40	70	56	M6	50	35	9	100	M6	184	126
SLGB30	SLGB30-UU	30	37	70	6.5	54	68	48	90	70	M8	55	40	10	100	M6	202	144