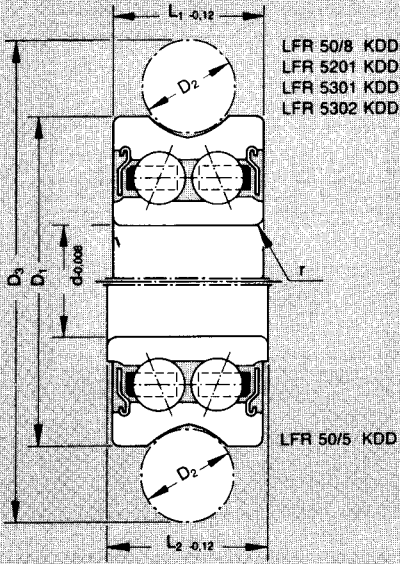


Track rollers

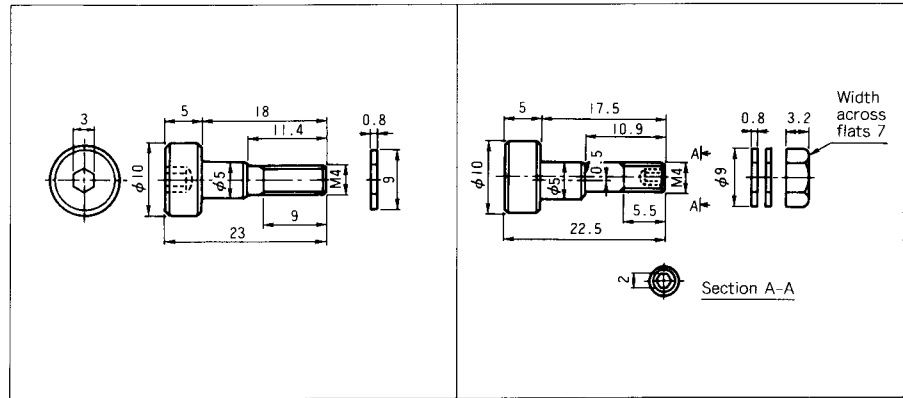


Dimensions in mm							Basic load rating		Mass	Designation
d	D ₁	D ₂	D ₃	L ₁	L ₂	r to DIN 620	C _w	C _{ow}	kg	
5	17	6	27.0	7.0	8	0.2	1610	890	0.01	LFR 50/5 KDD*
8	24	6	34.0	11.0	—	0.3	4100	2280	0.02	LFR 50/8 KDD
12	35	10	51.3	15.9	—	0.6	8500	5100	0.07	LFR 5201 KDD
12	42	10	58.0	19.0	—	0.6	13000	7700	0.10	LFR 5301 KDD
15	47	10	63.3	19.0	—	1.0	14500	9200	0.17	LFR 5302 KDD*

LFR50/5KDD Drawing

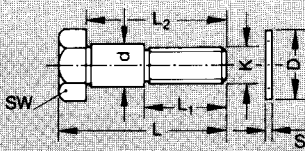
BZ LFZ5-012 (Concentric bolt)

BZ LFE5-0.5-013 (Eccentric bolt)



Concentric bolts

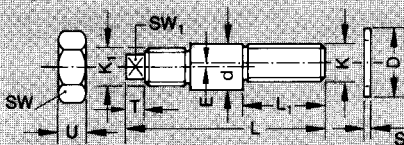
(including washer)



Dimensions in mm								Mass kg	For track roller	Designation
d	D	K	L	L ₁	L ₂	S	SW			
8	14	M 8	28.3	14.0	24.3	1.0	13	0.02	LFR 50/8 KDD	LFZ 8
12	21	M10	43.9	21.3	36.9	1.8	17	0.04	LFR 5201 KDD	LFZ 12
12	24	M12	50.8	24.0	43.8	1.8	17	0.06	LFR 5301 KDD	LFZ 12/M12

Eccentric bolts

(including nut and washer)



Dimensions in mm											Mass kg	For track roller	Designation	
d	E	D	K	K ₁	L	L ₁	S	T	U	SW				SW ₁
8	1	14	M 8	M8 x 0.75	33.2	13.7	1.0	3.5	4.0	13	5	0.02	LFR 50/8 KDD	LFE 8-1
12	1	21	M10	M10	52.0	21.5	1.8	5.0	8.0	17	6	0.04	LFR 5201 KDD	LFE 12-1
12	1	24	M12	M12	57.0	24.0	1.8	5.0	6.5	17	6	0.06	LFR 5301 KDD	LFE 12-1/M12