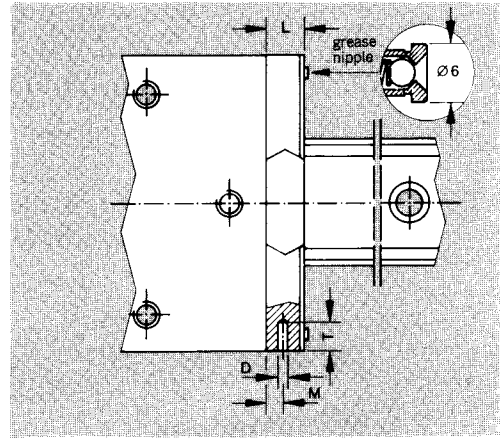
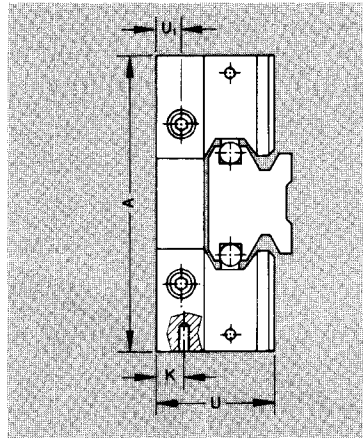
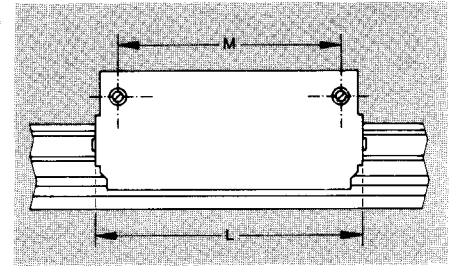
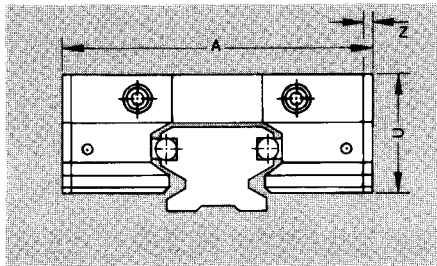


## Wiper and lubrication unit



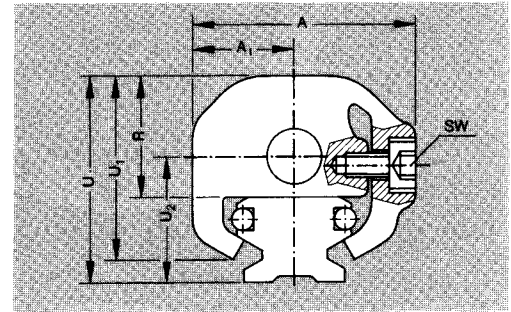
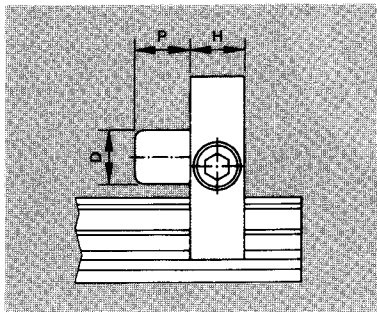
Dimensions in mm										
A	D for screws to DIN 7972	K	L	M	T	U	U <sub>1</sub>	Mass kg	Suitable for complete unit	Designation
80	B 2,9 x ...	7,0	11,0	5,0	6	32,0	7,0	0,03	LF 32080 ...	<b>AB 32</b>
120	B 4,8 x ...	15,0	18,0	8,5	20	49,5	9,5	0,10	LF 52120 ...	<b>AB 52</b>
135	B 4,8 x ...	20,6	18,0	8,5	20	55,0	12,0	0,13	LF 52135 ...	<b>AB 52/1</b>

## Side plate



Dimensions in mm							
A	L	M	U	Z	Mass kg	Suitable for complete unit	Designation
86	112	100	32,0	3	0,03	LF 32080 ...	<b>ABAL 32</b>
130	136	117	49,5	5	0,04	LF 52120 ...	<b>ABAL 52</b>
145	186	167	55,0	5	0,05	LF 52135 ...	<b>ABAL 52/1</b>

## End stop



Dimensions in mm												
A	A <sub>1</sub>	D	H	P	R	U	U <sub>1</sub>	U <sub>2</sub>	SW	Mass kg	Suitable for complete unit	Designation
46	21	10	15	15	19,0	39,0	35	27,0	5	0,05	LF 32080 ...	<b>PAH 32</b>
75	35	16	20	23	36,5	70,5	65	43,5	6	0,17	LF 52120 ...	<b>PAH 52</b>
75	35	16	20	23	36,5	70,5	65	43,5	6	0,17	LF 52135 ...	<b>PAH 52</b>