

Table 155 : TMS-P Series Dimensions Table (R, L)

Nut Model No.		Nut Dimensions (mm)					
Right Hand	Left Hand	Pitch P	D <sup>h0</sup>	L	R	F <sub>s</sub> (kgf)	Weight (kgf)
TMS10P	TMS10PL	2	20	20	1	23	0.007
TMS12P	TMS12PL	2	22	22	1	31	0.009
TMS14P	TMS14PL	3	22	22	1	37	0.008
TMS16P	TMS16PL	3	28	26	1	52	0.017
TMS18P	TMS18PL	4	32	31	1.5	71	0.026
TMS20P	TMS20PL	4	32	31	1.5	80	0.024
TMS22P	TMS22PL	5	36	40	1.5	103	0.040
TMS25P	TMS25PL	5	36	40	1.5	118	0.035
TMS28P	TMS30PL	5	44	45	2	153	0.064
TMS32P	TMS32PL	6	44	45	2	176	0.055
TMS36P	TMS36PL	6	52	49	2	222	0.089
TMS40P	TMS40PL	6	58	57	2	293	0.121

\* Material : Polyacetal Resin

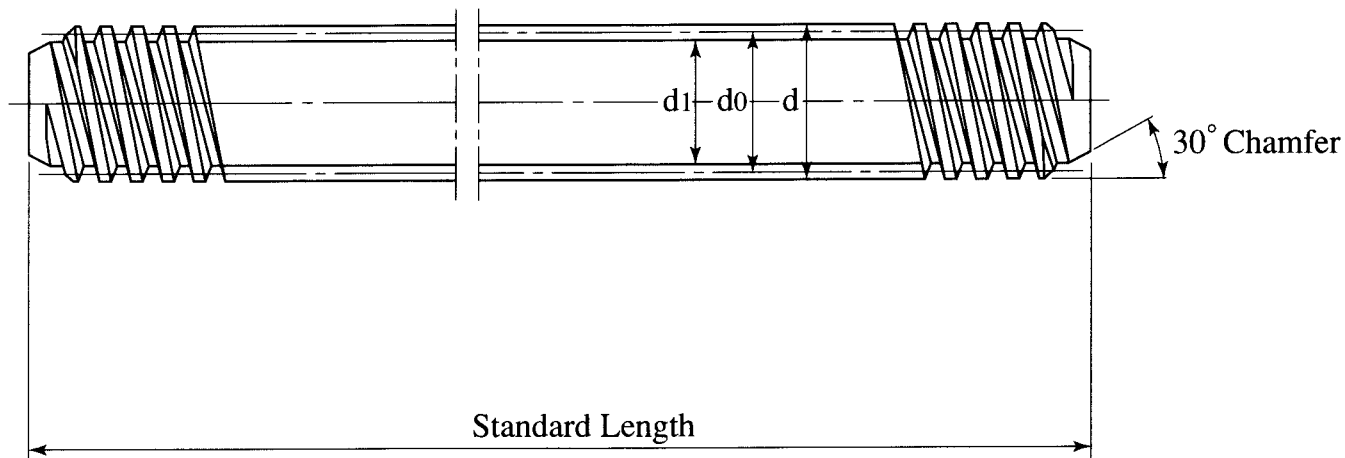


Table 156 : TM-S Series Dimensions Table (R, L)

Stainless Screw Shaft Model No.		Screw Shaft Dimensions (mm)					Standard Screw Shaft Length (mm)			
Right Hand	Left Hand	d	d <sub>0</sub>	d <sub>1</sub>	α'	Weight (kgf/m)	500	1000	1500	2000
<b>TM10S</b>	<b>TM10SL</b>	10	9	7.5	4°03'	0.6	○	○		
<b>TM12S</b>	<b>TM12SL</b>	12	11	9.5	3°19'	0.8	○	○		
<b>TM14S</b>	<b>TM14SL</b>	14	12.5	10.5	4°22'	1.0	○	○		
<b>TM16S</b>	<b>TM16SL</b>	16	14.5	12.5	3°46'	1.3	○	○	○	○
<b>TM18S</b>	<b>TM18SL</b>	18	16	13.5	4°33'	1.6	○	○	○	○
<b>TM20S</b>	<b>TM20SL</b>	20	18	15.5	4°03'	2.0	○	○	○	○
<b>TM22S</b>	<b>TM22SL</b>	22	19.5	16.5	4°40'	2.3	○	○	○	○
<b>TM25S</b>	<b>TM25SL</b>	25	22.5	19.5	4°03'	3.1	○	○	○	○
<b>TM28S</b>	<b>TM28SL</b>	28	25.5	22.5	3°34'	4.0	○	○	○	○
<b>TM32S</b>	<b>TM32SL</b>	32	29	25.5	3°46'	5.2	○	○	○	○
<b>TM36S</b>	<b>TM36SL</b>	36	33	29.5	3°19'	6.7	○	○	○	○
<b>TM40S</b>	<b>TM40SL</b>	40	37	33.5	2°57'	8.4	○	○	○	○

\* Materials : SUS303

\* Numbering : Right Hand **TM20S×1000**  
 Left Hand **TM20SL×1000**