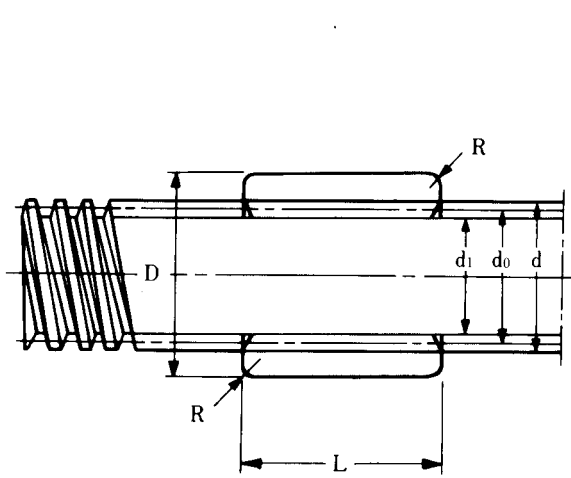


Table 151 : TMS, TMS-OH Series Dimensions Table (R, L)

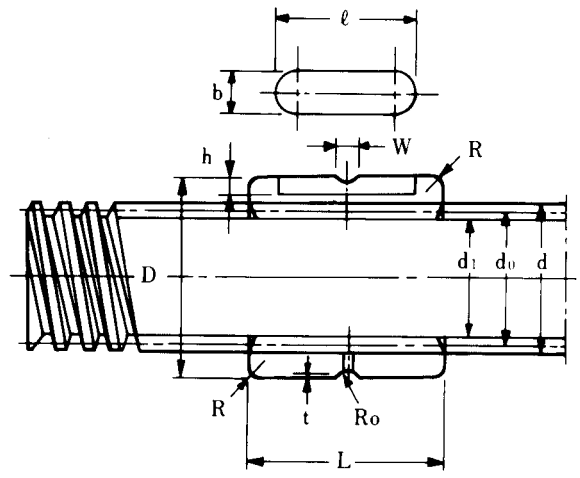
Nut Model No.		Nut Major							
No Oil Port	Oil Port Installed	Pitch P	Dh _s	L	R	b	ø	h	H
TMS10	TMS10-OH	2	20	20	1	4	14	2	1.5
TMS12	TMS12-OH	2	22	22	1	4	16	2	1.5
TMS14	TMS14-OH	3	22	22	1	4	16	2	1.5
TMS16	TMS16-OH	3	28	26	1	5	18	2.5	1.5
TMS18	TMS18-OH	4	32	31	1.5	7	22	2.5	2
TMS20	TMS20-OH	4	32	31	1.5	7	22	2.5	2
TMS22	TMS22-OH	5	36	40	1.5	7	26	2.5	2.5
TMS25	TMS25-OH	5	36	40	1.5	7	26	2.5	2.5
TMS28	TMS28-OH	5	44	45	2	10	32	4	2.5
TMS32	TMS32-OH	6	44	45	2	10	32	4	2.5
TMS36	TMS36-OH	6	52	49	2	12	40	4.5	3
TMS40	TMS40-OH	6	58	57	2	12	42	5	3

* Right hand screw case no mark, left hand case indicate L mark after the shaft diameter.

(ex) TMS20L, TMS20L-OH



TMS



TMS-OH

Dimensions (mm)					Screw Shaft Model No.	Screw Shaft Major Dimensions (mm)				
W	R ₀	t	F _a (kgf)	Weight (kgf)		d	d ₀	d ₁	α°	Weight (kgf/m)
2.5	1.8	0.5	102	0.04	TM10	10	9	7.5	4°03'	0.6
2.5	1.8	0.5	137	0.05	TM12	12	11	9.5	3°19'	0.8
2.5	1.8	0.5	163	0.05	TM14	14	12.5	10.5	4°22'	1.0
2.5	1.8	0.5	230	0.10	TM16	16	14.5	12.5	3°46'	1.3
3	2.5	0.5	315	0.16	TM18	18	16	13.5	4°33'	1.6
3	2.5	0.5	354	0.15	TM20	20	18	15.5	4°03'	2.0
3.5	2.5	0.7	457	0.24	TM22	22	19.5	16.5	4°40'	2.3
3.5	2.5	0.7	525	0.21	TM25	25	22.5	19.5	4°03'	3.1
3.5	2.5	0.7	678	0.39	TM28	28	25.5	22.5	3°34'	4.0
3.5	2.5	0.7	781	0.32	TM32	32	29	25.5	3°46'	5.2
4	3.2	0.7	982	0.53	TM36	36	33	29.5	3°19'	6.7
4	3.2	0.7	1297	0.72	TM40	40	37	33.5	2°57'	8.4

(ex) **TM20L**