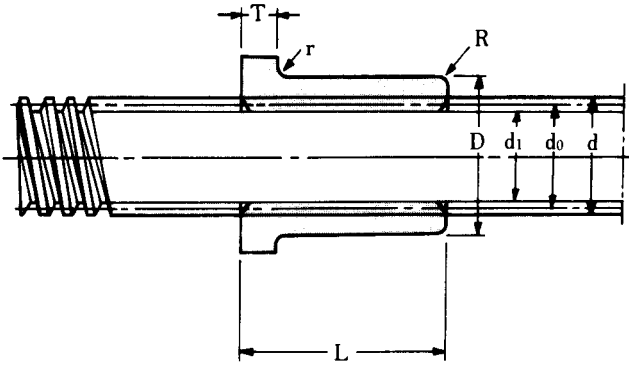
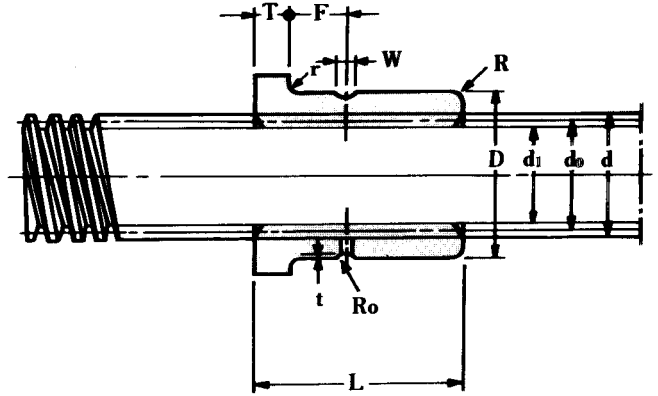


Table 153 : TMK, TMK-OH Series Dimensions Table (R, L)

Nut Model No.		Nut Major									
No Oil Port	Oil Port Installed	Pitch P	Dh _s	Df	P.C.D.	K	L	R	r	T	F
TMK10	TMK10-OH	2	20	36	26	22	24	1	0.5	5	6
TMK12	TMK12-OH	2	22	44	31	24	30	1	0.5	5	7
TMK14	TMK14-OH	3	22	44	31	24	30	1	0.5	5	7
TMK16	TMK16-OH	3	28	51	38	30	35	1	0.5	6	8
TMK18	TMK18-OH	4	32	56	42	34	40	1.5	0.5	6	10.5
TMK20	TMK20-OH	4	32	56	42	34	40	1.5	0.5	6	10.5
TMK22	TMK22-OH	5	36	61	47	40	50	1.5	0.5	7	14
TMK25	TMK25-OH	5	36	61	47	40	50	1.5	0.5	7	14
TMK28	TMK28-OH	5	44	76	58	48	56	2	0.5	8	15
TMK32	TMK32-OH	6	44	76	58	48	56	2	0.5	8	15
TMK36	TMK36-OH	6	52	84	66	56	60	2	0.5	8	17
TMK40	TMK40-OH	6	58	98	76	62	70	2	0.5	10	19

* Right hand screw case no mark, left hand case indicate L mark after the shaft diameter.

(ex) TMK20L, TMK20L-OH


TMK

TMK-OH

Dimensions (mm)							Screw Shaft Model No.	Screw Shaft Major Dimensions (mm)				
S	H	W	R ₀	t	F ₀ (kgf)	Weight (kgf)		d	d ₀	d ₁	α°	Weight (kgf/m)
4.3	1.5	2.5	1.8	0.5	124	0.07	TM10	10	9	7.5	4°03'	0.6
5.4	1.5	2.5	1.8	0.5	192	0.10	TM12	12	11	9.5	3°19'	0.8
5.4	1.5	2.5	1.8	0.5	234	0.09	TM14	14	12.5	10.5	4°22'	1.0
6.6	1.5	2.5	1.8	0.5	321	0.18	TM16	16	14.5	12.5	3°46'	1.3
6.6	2	3	2.5	0.5	417	0.23	TM18	18	16	13.5	4°33'	1.6
6.6	2	3	2.5	0.5	468	0.23	TM20	20	18	15.5	4°03'	2.0
6.6	2.5	3.5	2.5	0.7	587	0.38	TM22	22	19.5	16.5	4°40'	2.3
6.6	2.5	3.5	2.5	0.7	675	0.31	TM25	25	22.5	19.5	4°03'	3.1
9	2.5	3.5	2.5	0.7	864	0.57	TM28	28	25.5	22.5	3°34'	4.0
9	2.5	3.5	2.5	0.7	997	0.52	TM32	32	29	25.5	3°46'	5.2
9	3	4	3.2	0.7	1227	0.76	TM36	36	33	29.5	3°19'	6.7
11	3	4	3.2	0.7	1633	1.09	TM40	40	37	33.5	2°57'	8.4

(ex) TM20L