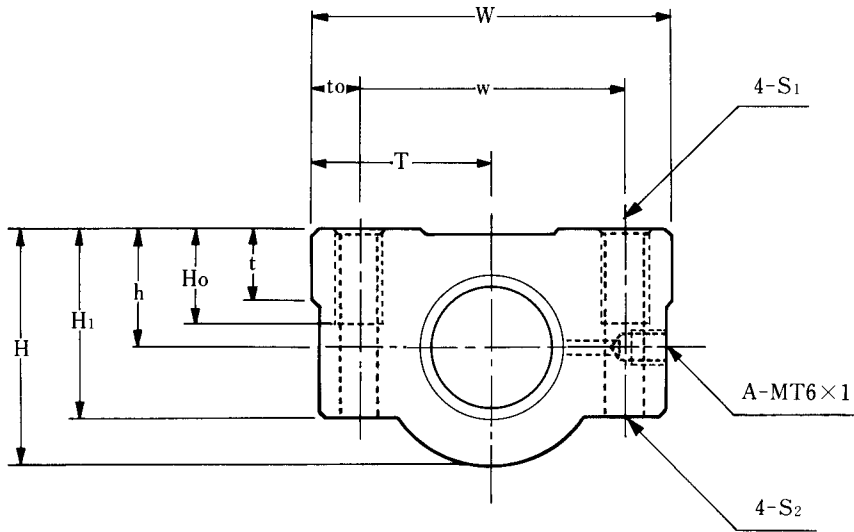


Table 154 : TMH Series Dimensions Table (R, L)

Nut Model No.	Nut Major									
	Pitch P	$h^{±0.03}$	W	w	T	t_0	H	H_1	H_0	t
TMH12	2	11	38	26	19	6	21	16.5	9	6
TMH16	3	14	44	32	22	6	28	22.5	12	8
TMH20	4	16	48	36	24	6	32	26	15	10
TMH25	5	20	62	46	31	8	40	32	16	12
TMH32	6	25	68	52	34	8	50	42	16	14

* Right hand screw case no mark, left hand case indicate L mark after the shaft diameter.

(ex) **TMH20L**



Dimensions (mm)						Screw Shaft Model No.	Screw Shaft Major Dimensions (mm)				
L	ℓ	S ₁	S ₂	F ₀ (kgf)	Weight (kgf)		d	d ₀	d ₁	α°	Weight (kgf/m)
30	20	M5	M4	192	0.14	TM12	12	11	9.5	3°19'	0.8
35	24	M5	M4	321	0.25	TM16	16	14.5	12.5	3°46'	1.3
40	28	M6	M4	468	0.35	TM20	20	18	15.5	4°03'	2.0
50	34	M8	M6	675	0.70	TM25	25	22.5	19.5	4°03'	3.1
56	40	M8	M6	997	1.02	TM32	32	29	25.5	3°46'	5.2