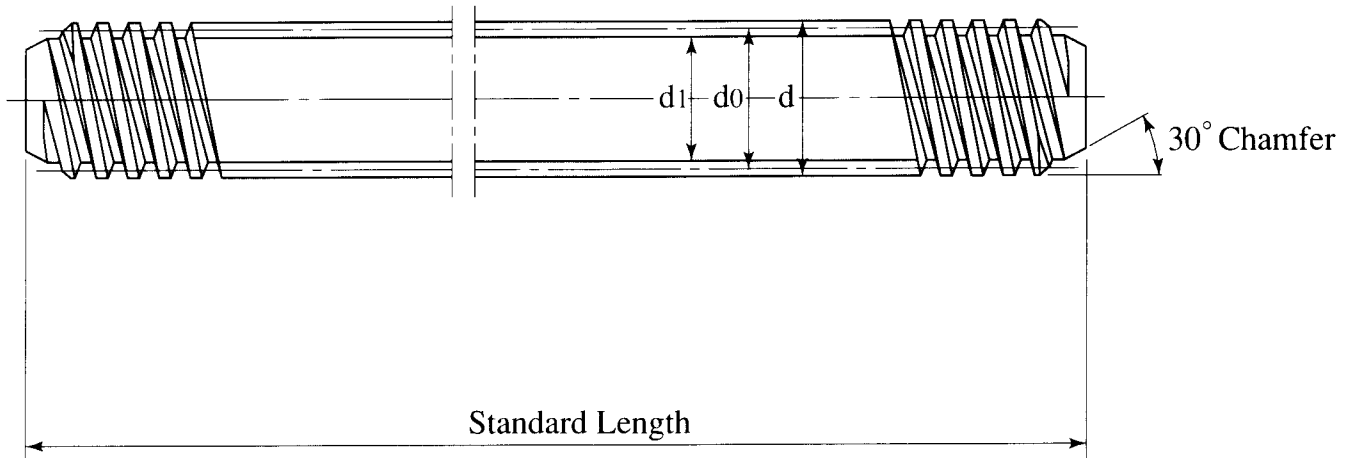


Table 157 : TMF-P Series Dimensions Table (R, L)

Nut Model No.		Nut Dimensions (mm)								
Right Hand	Left Hand	Pitch P	D ^{h8}	Df	P.C.D	L	R	r	T	S
TMF10P	TMF10PL	2	20	36	26	24	1	0.5	8	4.3
TMF12P	TMF12PL	2	22	44	31	30	1	0.5	8	5.4
TMF14P	TMF14PL	3	22	44	31	30	1	0.5	8	5.4
TMF16P	TMF16PL	3	28	51	38	35	1	0.5	9	6.6
TMF18P	TMF18PL	4	32	56	42	40	1.5	0.5	9	6.6
TMF20P	TMF20PL	4	32	56	42	40	1.5	0.5	9	6.6
TMF22P	TMF22PL	5	36	61	47	50	1.5	0.5	10	6.6
TMF25P	TMF25PL	5	36	61	47	50	1.5	0.5	10	6.6
TMF28P	TMF28PL	5	44	76	58	56	2	0.5	11	9
TMF32P	TMF32PL	6	44	76	58	56	2	0.5	11	9
TMF36P	TMF36PL	6	52	84	66	60	2	0.5	11	9
TMF40P	TMF40PL	6	58	98	76	70	2	0.5	13	11

*Material : Polyacetal Resin

Stainless TM Screw Shaft TM-S series



F_a (kgf)	Weight (kgf)	Stainless Screw Shaft Model No.	Screw Shaft Dimensions (mm)					Standard Screw Shaft Length (mm)			
			d	d_0	d_1	α°	Weight (kgf/m)	500	1000	1500	2000
28	0.016	TM10S	10	9	7.5	4°03'	0.6	○	○		
43	0.025	TM12S	12	11	9.5	3°19'	0.8	○	○		
53	0.023	TM14S	14	12.5	10.5	4°22'	1.0	○	○		
72	0.039	TM16S	16	14.5	12.5	3°46'	1.3	○	○	○	○
94	0.054	TM18S	18	16	13.5	4°33'	1.6	○	○	○	○
105	0.051	TM20S	20	18	15.5	4°03'	2.0	○	○	○	○
132	0.076	TM22S	22	19.5	16.5	4°40'	2.3	○	○	○	○
152	0.069	TM25S	25	22.5	19.5	4°03'	3.1	○	○	○	○
194	0.124	TM28S	28	25.5	22.5	3°34'	4.0	○	○	○	○
224	0.112	TM32S	32	29	25.5	3°46'	5.2	○	○	○	○
276	0.163	TM36S	36	33	29.5	3°19'	6.7	○	○	○	○
367	0.249	TM40S	40	37	33.5	2°57'	8.4	○	○	○	○

* Materials : SUS303

* Numbering : Right Hand **TM16S×1500**
 Left Hand **TM16SL×1000**