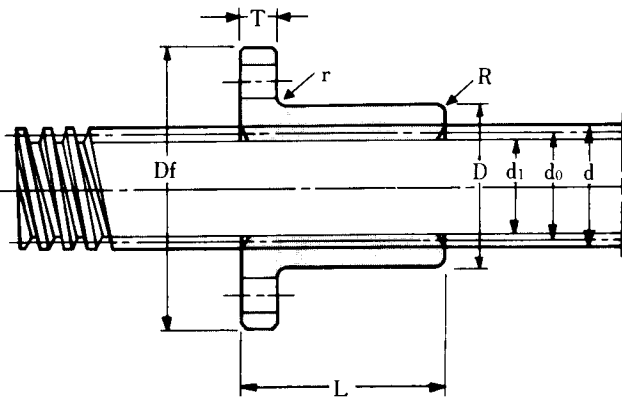


Table 152 : TMF, TMF-OH Series Dimensions Table (R, L)

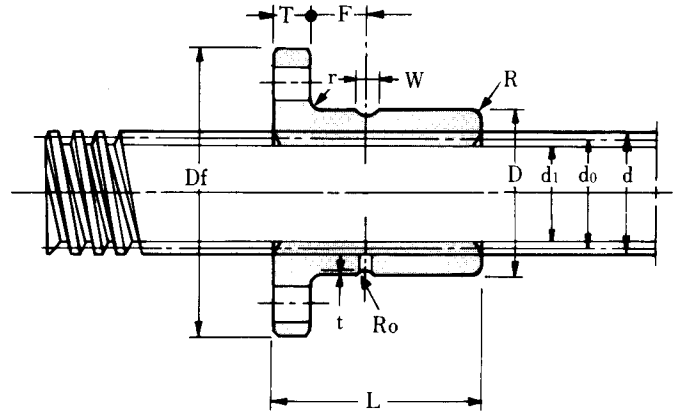
Nut Model No.											Nut Major	
No Oil Port	Oil Port Installed	Pitch P	Dh <sub>s</sub>	Df	P.C.D.	L	R	r	T	F	S	
<b>TMF10</b>	<b>TMF10-OH</b>	2	20	36	26	24	1	0.5	5	6	4.3	
<b>TMF12</b>	<b>TMF12-OH</b>	2	22	44	31	30	1	0.5	5	7	5.4	
<b>TMF14</b>	<b>TMF14-OH</b>	3	22	44	31	30	1	0.5	5	7	5.4	
<b>TMF16</b>	<b>TMF16-OH</b>	3	28	51	38	35	1	0.5	6	8	6.6	
<b>TMF18</b>	<b>TMF18-OH</b>	4	32	56	42	40	1.5	0.5	6	10.5	6.6	
<b>TMF20</b>	<b>TMF20-OH</b>	4	32	56	42	40	1.5	0.5	6	10.5	6.6	
<b>TMF22</b>	<b>TMF22-OH</b>	5	36	61	47	50	1.5	0.5	7	14	6.6	
<b>TMF25</b>	<b>TMF25-OH</b>	5	36	61	47	50	1.5	0.5	7	14	6.6	
<b>TMF28</b>	<b>TMF28-OH</b>	5	44	76	58	56	2	0.5	8	15	9	
<b>TMF32</b>	<b>TMF32-OH</b>	6	44	76	58	56	2	0.5	8	15	9	
<b>TMF36</b>	<b>TMF36-OH</b>	6	52	84	66	60	2	0.5	8	17	9	
<b>TMF40</b>	<b>TMF40-OH</b>	6	58	98	76	70	2	0.5	10	19	11	

\* Right hand screw case no mark, left hand case indicate L mark after the shaft diameter.

(ex) **TMF20L, TMF20L-OH**



**TMF**



**TMF-OH**

Dimensions (mm)						Screw Shaft Model No.	Screw Shaft Major Dimensions (mm)				
H	W	$R_o$	t	$F_a$ (kgf)	Weight (kgf)		d	$d_o$	$d_i$	$\alpha^\circ$	Weight (kgf/m)
1.5	2.5	1.8	0.5	124	0.08	<b>TM10</b>	10	9	7.5	4°03'	0.6
1.5	2.5	1.8	0.5	192	0.12	<b>TM12</b>	12	11	9.5	3°19'	0.8
1.5	2.5	1.8	0.5	234	0.11	<b>TM14</b>	14	12.5	10.5	4°22'	1.0
1.5	2.5	1.8	0.5	321	0.20	<b>TM16</b>	16	14.5	12.5	3°46'	1.3
2	3	2.5	0.5	417	0.26	<b>TM18</b>	18	16	13.5	4°33'	1.6
2	3	2.5	0.5	468	0.26	<b>TM20</b>	20	18	15.5	4°03'	2.0
2.5	3.5	2.5	0.7	587	0.41	<b>TM22</b>	22	19.5	16.5	4°40'	2.3
2.5	3.5	2.5	0.7	675	0.35	<b>TM25</b>	25	22.5	19.5	4°03'	3.1
2.5	3.5	2.5	0.7	864	0.63	<b>TM28</b>	28	25.5	22.5	3°34'	4.0
2.5	3.5	2.5	0.7	997	0.58	<b>TM32</b>	32	29	25.5	3°46'	5.2
3	4	3.2	0.7	1227	0.82	<b>TM36</b>	36	33	29.5	3°19'	6.7
3	4	3.2	0.7	1633	1.25	<b>TM40</b>	40	37	33.5	2°57'	8.4

(ex) TM20L