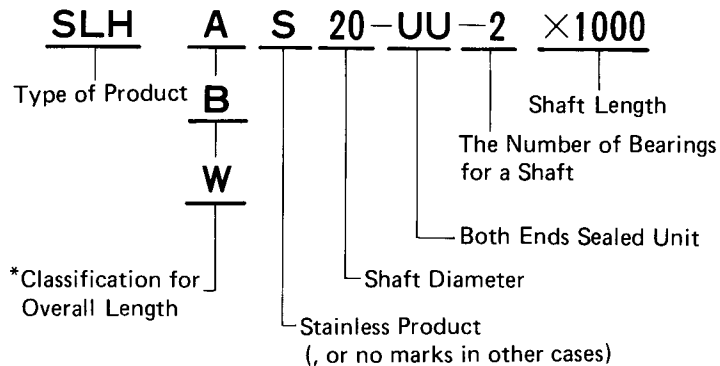
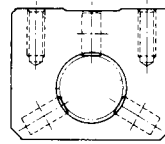


Features

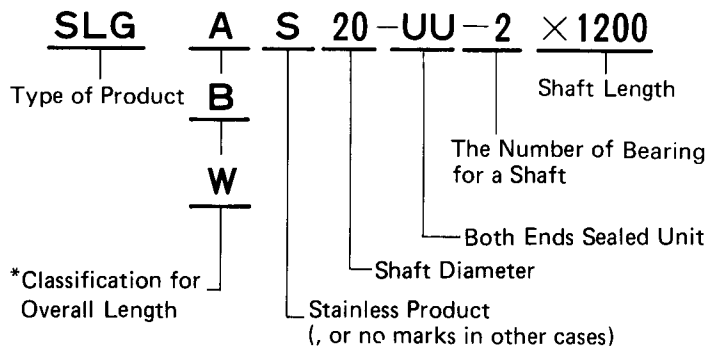
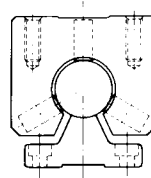
1. The SLH and SLG series, **QZAK** super linear bearings, provide quiet, smooth linear motion, eliminating the structural defects of existing linear bearings which include impact noises caused directly by balls colliding with each other and rolling noises resulting from the complicated raceways needed for the circulating motion of balls.
2. The series, equipped with a built-in clearance adjusting device in the housing, provides linear motion free from any jolts.
Note: The clearance adjustment is completed prior to shipment. **QZAK** linear shafts are recommended for use along with this series.
3. Its compact housing, a high-grade aluminium alloy product with excellent corrosion resistance, facilitates a lighter, thinner and shorter machine construction.
4. This series, has an extremely low frictional resistance uniformly distributed throughout its linear motion. The series has a stabilized, smooth linear motion through its entire stroke.
5. Even during high speeds, the movement of the rolling balls is extremely silent making for a smoother, more improved work environment.
6. The series is free from grease or oil lubrication under normal conditions. Also, this series offers one unit with both ends sealed to assure dustfree operation.
Note: The product requires regular lubrication because the sealing on both its ends causes an additional sliding resistance. Without sealing or lubrication provided, this series is best suited for use in clean rooms.
7. Three different kinds of housing length are available in this series, offering the best choice for installation space. Also this series includes assembled stainless-bearing types, the SLHS and SLGS series, to meet rustproofing specifications.

Types and Numbering System

• Super Linear Housing Type



• Super Linear Guide Type



*At least two A-type products are required for one shaft.

Table 103 : Classification in Length

A	B	W
※ 		

Rated Life

Formulas, Page 22, (1) and (2), are also applicable for the rated life calculation of this series.

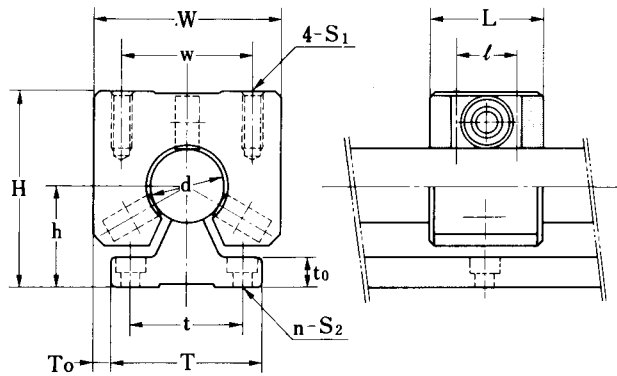


Table 107 : SLGA Series Dimensions Table

Model No.		Ass'y Dimensions (mm)				Housing Dimensions (mm)						Rail Dimensions (mm)					Basic Load Ratings	
Standard Type	Both Sides Sealed	d	h	$H^{\pm 0.02}$	$T_0^{\pm 0.025}$	H_0	W	w	L	ℓ	S_1	T	t	t_0	P	S_2	C (kgf)	C_0 (kgf)
SLGA16	SLGA16-UU	16	25	47	2.5	36	45	30	28	16	M5	40	30	8	100	M5	44	29
SLGA20	SLGA20-UU	20	27	52	5	41	50	35	30	16	M6	40	30	8	100	M5	61	41
SLGA25	SLGA25-UU	25	32	62	5	48	60	40	32	16	M6	50	35	9	100	M6	99	63
SLGA30	SLGA30-UU	30	37	70	6.5	54	68	48	34	20	M8	55	40	10	100	M6	108	72

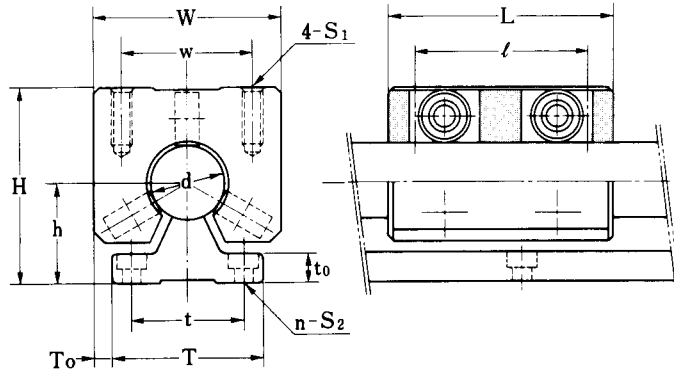


Table 108 : SLGB Series Dimensions Table

Model No.		Ass'y Dimensions (mm)				Housing Dimensions (mm)						Rail Dimensions (mm)					Basic Load Ratings	
Standard Type	Both Sides Sealed	d	h	$H^{\pm 0.02}$	$T_0^{\pm 0.025}$	H_0	W	w	L	ℓ	S_1	T	t	t_0	P	S_2	C (kgf)	C_0 (kgf)
SLGB16	SLGB16-UU	16	25	47	2.5	36	45	30	54	42	M5	40	30	8	100	M5	82	58
SLGB20	SLGB20-UU	20	27	52	5	41	50	35	60	46	M6	40	30	8	100	M5	114	82
SLGB25	SLGB25-UU	25	32	62	5	48	60	40	70	56	M6	50	35	9	100	M6	184	126
SLGB30	SLGB30-UU	30	37	70	6.5	54	68	48	90	70	M8	55	40	10	100	M6	202	144

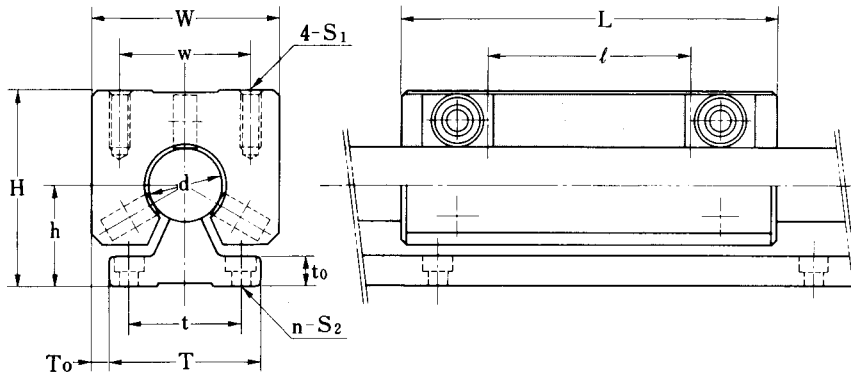


Table 109 : SLGW Series Dimensions Table

Model No.		Ass'y Dimensions(mm)				Housing Dimensions (mm)						Rail Dimensions (mm)					Basic Load Ratings	
Standard Type	Both Sides Sealed	d	h	$H^{\pm 0.02}$	$T_0^{\pm 0.025}$	H_0	W	w	L	\varnothing	S_1	T	t	t_0	P	S_2	C (kgf)	C_0 (kgf)
SLGW16	SLGW16-UU	16	25	47	2.5	36	45	30	90	48	M5	40	30	8	100	M5	82	58
SLGW20	SLGW20-UU	20	27	52	5	41	50	35	100	54	M6	40	30	8	100	M5	114	82
SLGW25	SLGW25-UU	25	32	62	5	48	60	40	130	72	M6	50	35	9	100	M6	184	126
SLGW30	SLGW30-UU	30	37	70	6.5	54	68	48	150	86	M8	55	40	10	100	M6	202	144

Table 110 : Standard Rail Length

Units : mm

Model No.	Rail Length							
	300	600	900	1200	1500	1800	2100	2400
G16R, GC16R	○	○	○	○	○	○		
G20R, GC20R	○	○	○	○	○	○		
G25R, GC25R	○	○	○	○	○	○	○	○
G30R, GC30R	○	○	○	○	○	○	○	○

○Mark : Standard Stock Item