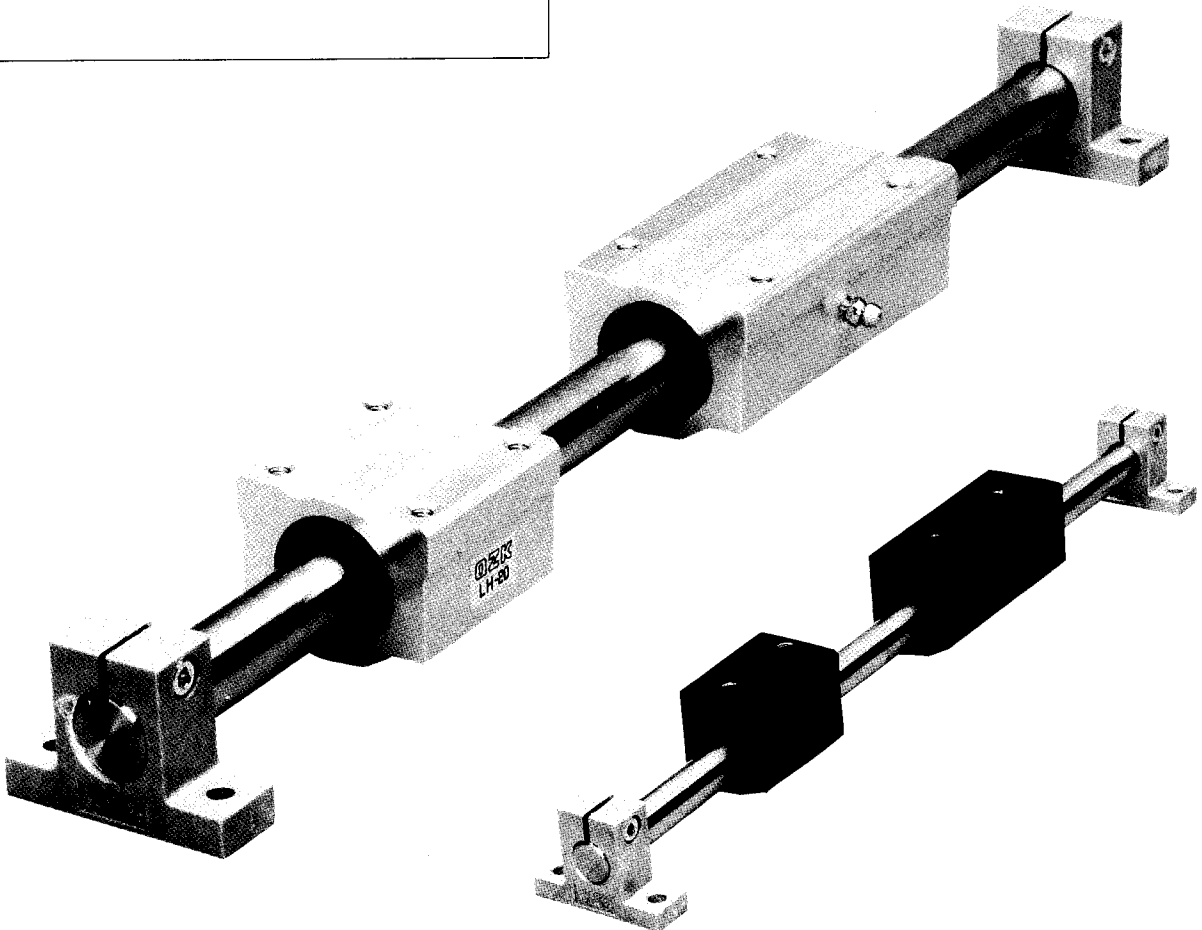
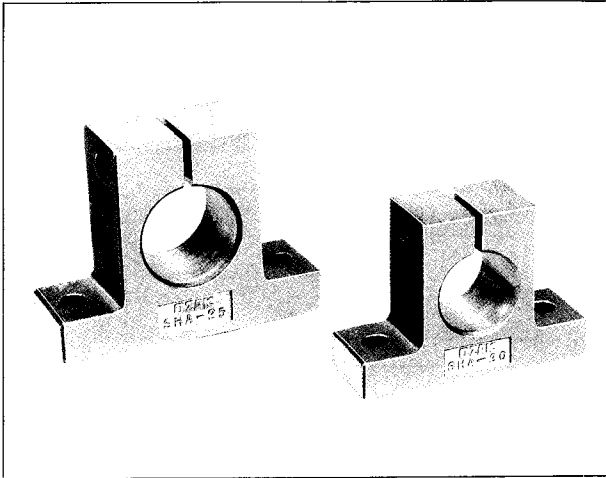


# Most Compact High Shaft Supporter for LH, LHW, CH, CHW Series



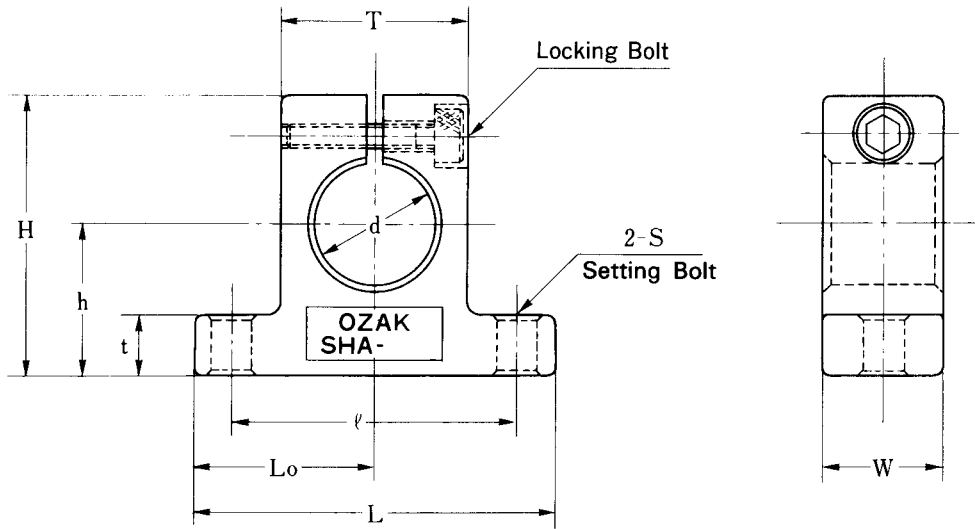


Table 53 : SHA Series Dimensions Table

Model No.	Shaft Dia. d(mm)	Major Dimensions (mm)								Setting		Locking Bolt	Permissible Locking Torque (kgf·cm)	Weight (gf)
		h	H	t	L	L <sub>0</sub>	ℓ	W	T	S	Bolt			
<b>SHA- 6</b>	6	10	20	5	30	15	22	8	12	4.5	M4	M3	3.0	8
<b>SHA- 8</b>	8	12	23	5	36	18	26	10	16	4.5	M4	M3	3.0	14
<b>SHA-10</b>	10	16	29	6	40	20	30	14	18	5.5	M5	M4	3.0	20
<b>SHA-12A</b>	12	16	30	6	42	21	32	14	20	5.5	M5	M4	3.0	22
<b>SHA-12B</b>	12	23	37	6	42	21	32	14	20	5.5	M5	M4	3.0	26
<b>SHA-13</b>	13	17	32	6	42	21	32	14	20	5.5	M5	M4	3.0	22
<b>SHA-16</b>	16	20	37	8	48	24	38	16	25	5.5	M5	M4	5.0	40
<b>SHA-20</b>	20	22	42	10	60	30	45	20	30	6.6	M6	M5	5.0	70
<b>SHA-25</b>	25	28	53	12	70	35	56	24	38	6.6	M6	M6	10.0	120
<b>SHA-30</b>	30	30	58	12	84	42	64	28	44	9	M8	M6	10.0	170

\*Material : Aluminum Die Casting

Table 54 : Permissible Tolerances

Basic Dimensions	Tolerances (mm)
h	±0.02
L <sub>0</sub>	±0.05