

Shaft Supporter for Vertical

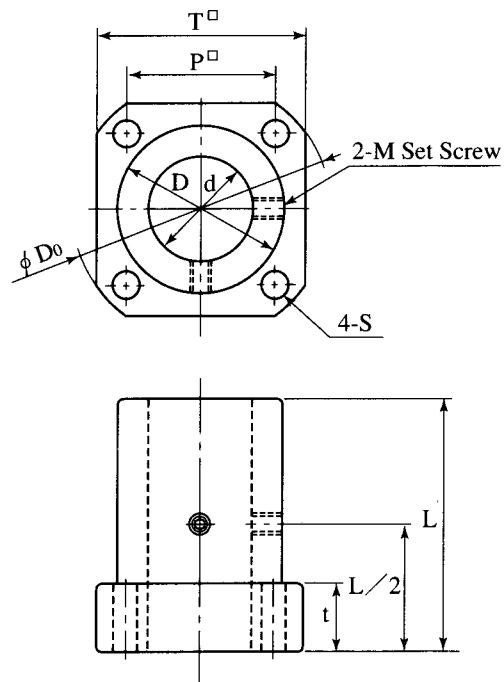
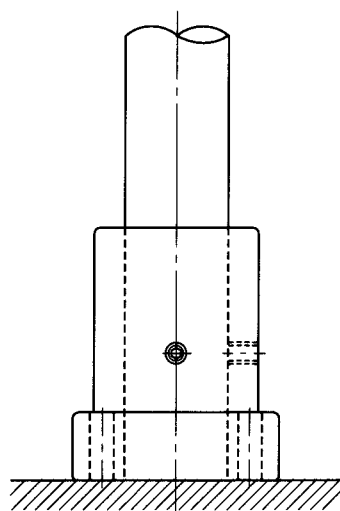


Table 64 : SFW Series Dimensions Table

Model No.	Major Dimensions (mm)									Weight (kgf)
	$d^{H6}$	D	$D_0$	T	P	L	t	S	M	
<b>SFW 6</b>	6	12	28	22	14	18	6	4	M3	0.026
<b>SFW 8</b>	8	15	32	25	17	24	8	4	M3	0.048
<b>SFW10</b>	10	19	39	30	20	30	10	5	M4	0.089
<b>SFW12</b>	12	21	42	32	22	30	10	5	M4	0.10
<b>SFW13</b>	13	23	43	34	23	32	10	5	M4	0.12
<b>SFW16</b>	16	28	46	35	26	40	12	5	M4	0.18
<b>SFW20</b>	20	32	54	42	30	50	14	6	M5	0.28
<b>SFW25</b>	25	40	62	50	36	60	16	6	M5	0.49
<b>SFW30</b>	30	45	74	58	42	70	18	7	M6	0.70
<b>SFW35</b>	35	52	82	64	47	80	18	7	M6	0.94
<b>SFW40</b>	40	60	96	75	55	90	20	9	M8	1.49

\* Material : S25C Non-Rust Plating