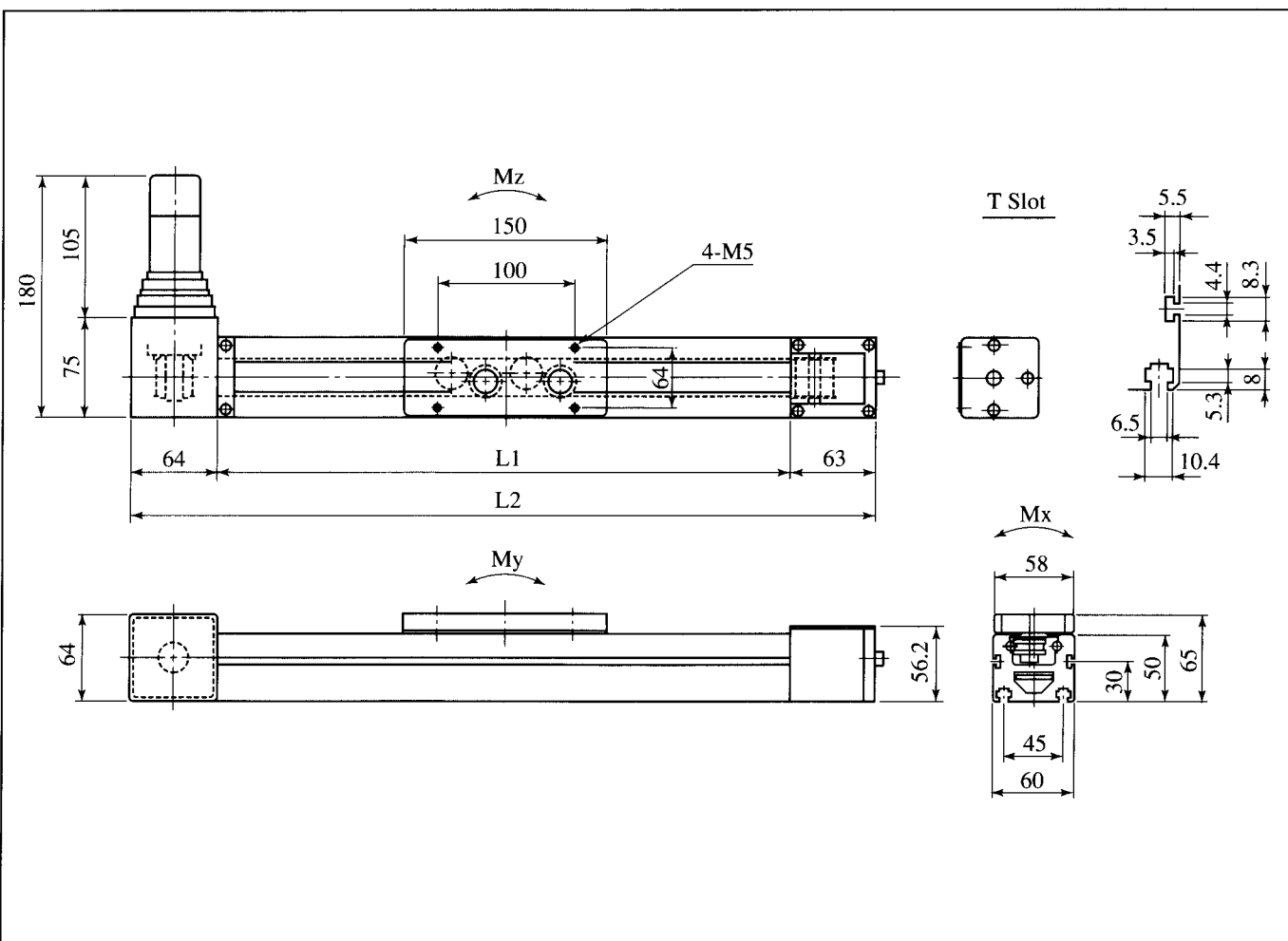


Model No.

SD 60×50 TB HX Stroke

Stroke (mm)	300	400	500	600	700	800	900	1000
L_1 (mm)	490	590	690	790	890	990	1090	1190
L_2 (mm)	617	717	817	917	1017	1117	1217	1317
Mass (kg)	6.1	6.6	7.1	7.5	8.0	8.5	9.0	9.4



SD 60×50 TBH Specification

Carring Capacity	Horizontal 25kg Vertical 8 kg
Rated Thrust	39N (4 kgf)
Moment Load	M_x 6.9N·m(0.7kgf·m), M_y 19.6N·m(2 kgf·m), M_z 7.8N·m(0.8kgf·m)
Max. Speed	1200mm/s
Feeder Drive	Timing Belt 5 M Width 25mm
Repeatability	± 0.08 mm
Motor [Power]	AC Servo Motor [50W 200V]
Material	Al Alloy
Sensor	Photo Micro Sensor