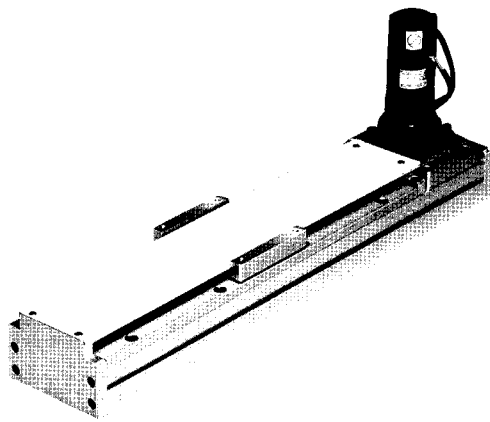


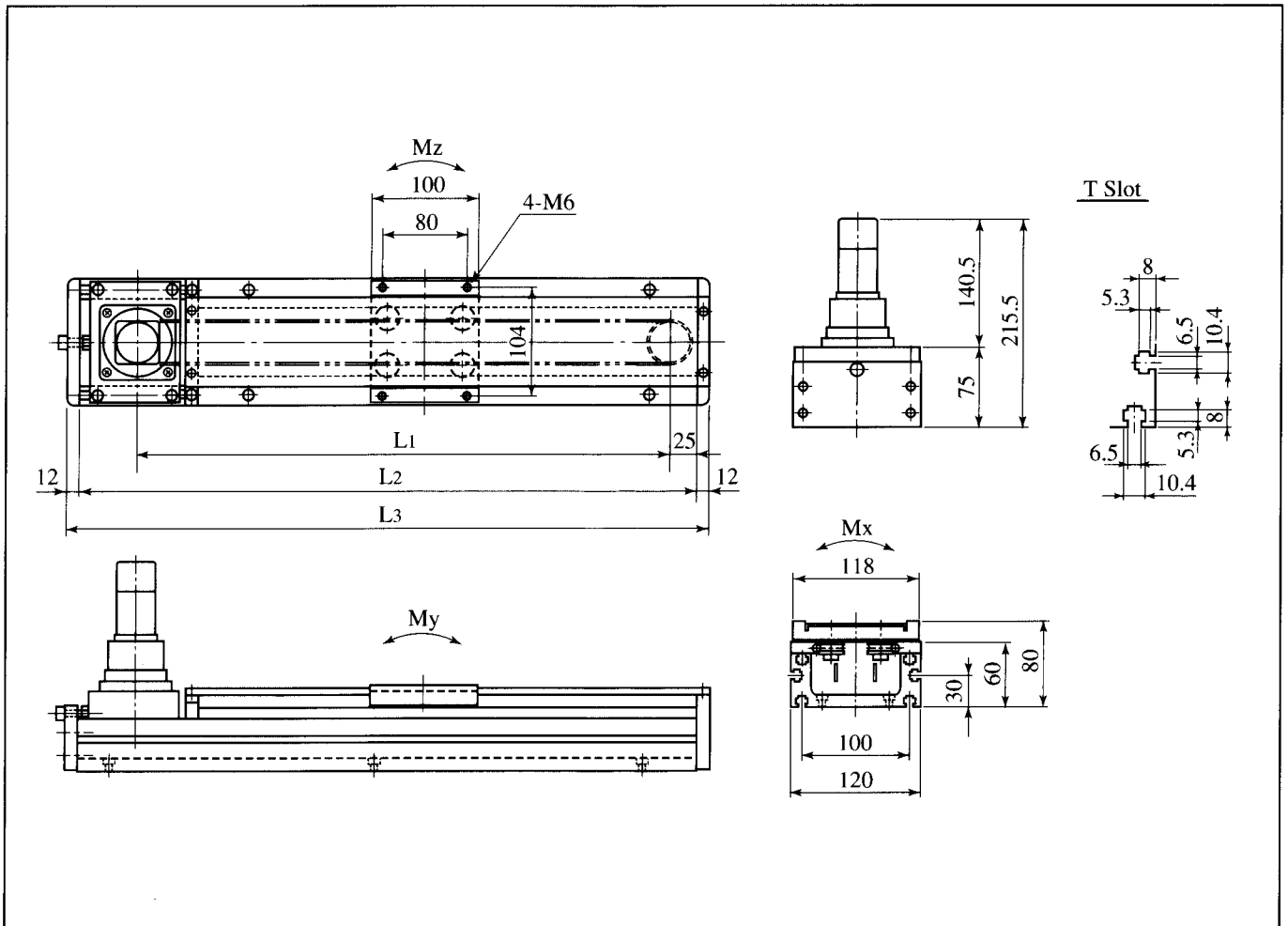
OZAK Slider Units (Belt Drive)



Model No.

SD 120×60 TB V×Stroke

Stroke (mm)	300	400	500	600	700	800	900	1000
L_1 (mm)	487	587	687	787	887	987	1087	1187
L_2 (mm)	567	667	767	867	967	1067	1167	1267
L_3 (mm)	591	691	791	891	991	1091	1191	1291
Mass (kg)	8.2	9.0	9.8	10.5	11.3	12.1	12.9	13.7



SD 120×60 TBV Specification

Carrying Capacity	Horizontal 20kg Vertical 6kg
Rated Thrust	64N (6.5kgf)
Moment Load	M_x 8.8N·m (0.9kgf·m), M_y 13.7N·m (1.4kgf·m), M_z 16.7N·m (1.7kgf·m)
Max. Speed	1600mm/s
Feeder Drive	Timing Belt 5 M Width 15mm
Repeatability	±0.08mm
Motor [Power]	AC Servo Motor [100W 200V]
Material	Al Alloy
Sensor	Photo Micro Sensor