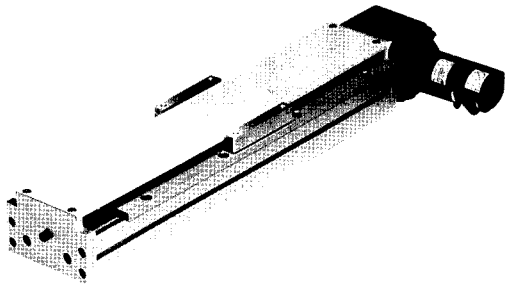


(Belt Drive)



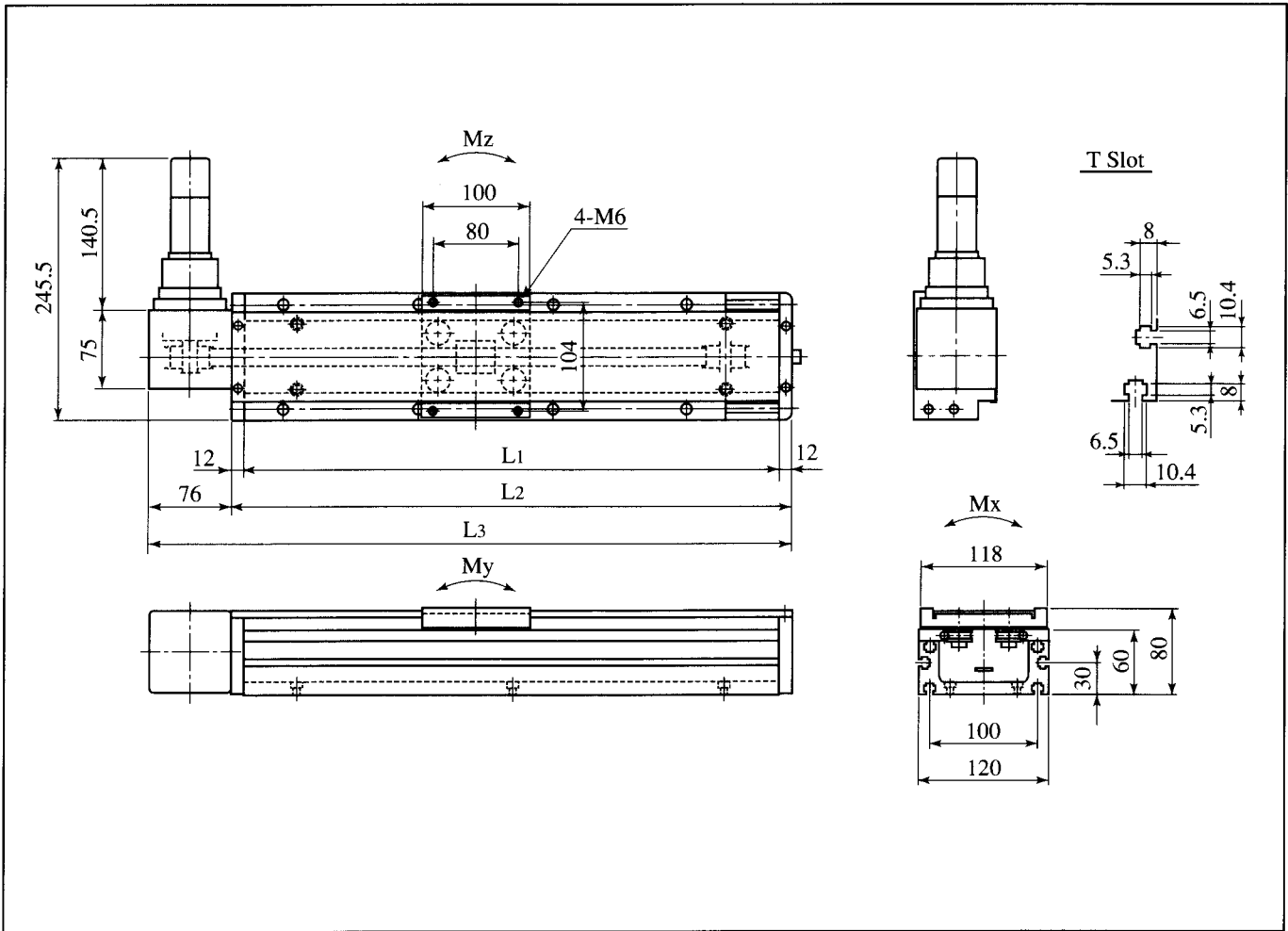
QZAK



Model No.

SD 120X60 TB HX Stroke

Stroke (mm)	300	400	500	600	700	800	900	1000
L ₁ (mm)	500	600	700	800	900	1000	1100	1200
L ₂ (mm)	524	624	724	824	924	1024	1124	1224
L ₃ (mm)	600	700	800	900	1000	1100	1200	1300
Mass (kg)	7.7	8.5	9.3	10.0	10.8	11.6	12.4	13.2



SD 120X60 TBH Specification

Carring Capacity	Horizontal 20kg Vertical 6 kg
Rated Thrust	64N (6.5kgf)
Moment Load	Mx 8.8N·m(0.9kgf·m), My 13.7N·m(1.4kgf·m), Mz 16.7N·m(1.7kgf·m)
Max. Speed	1600mm/s
Feeder Drive	Timing Belt 5 M Width 15mm
Repeatability	±0.08mm
Motor [Power]	AC Servo Motor [100W 200V]
Material	Al Alloy
Sensor	Photo Micro Sensor