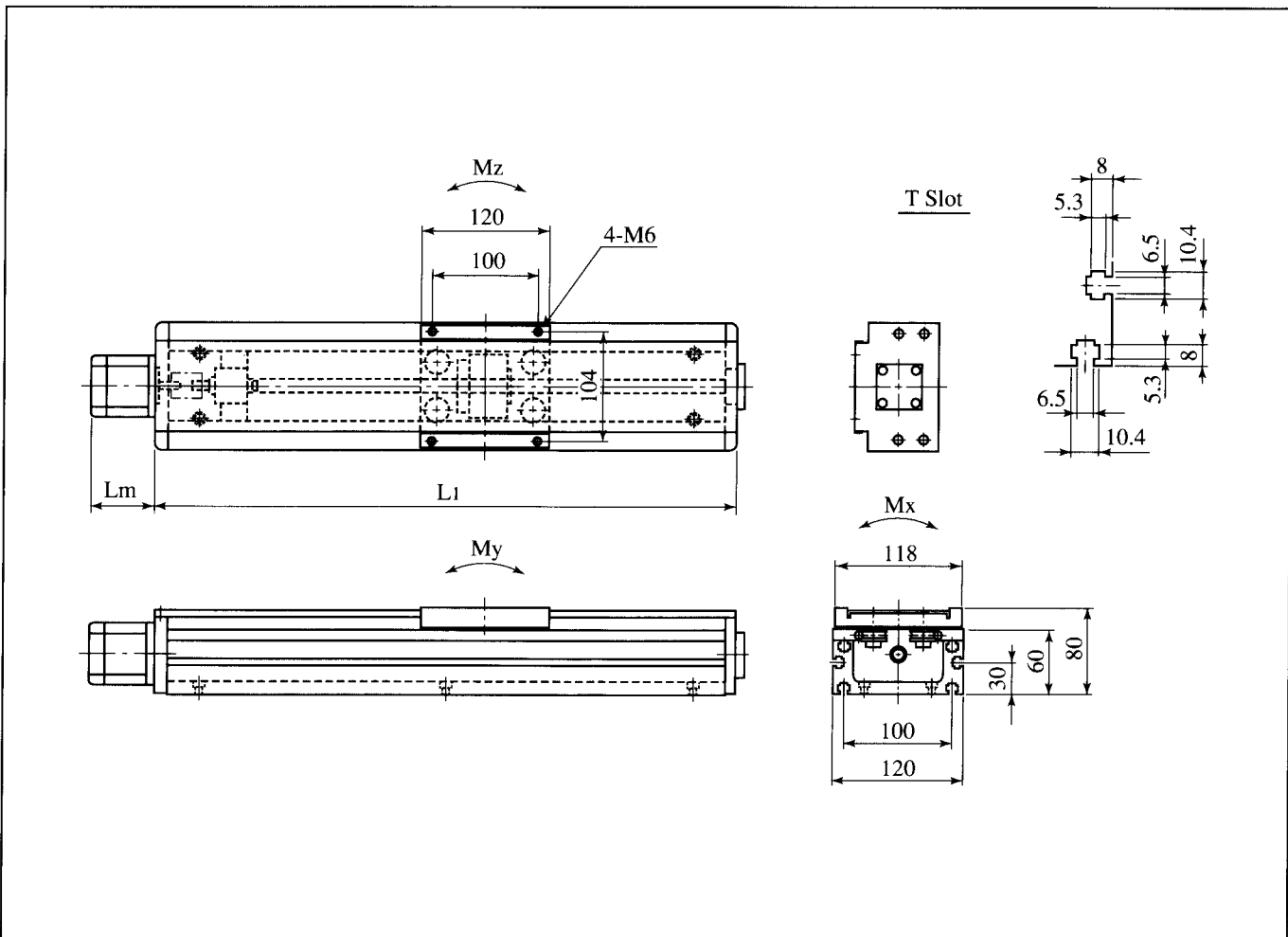


Model No.

SD 120X60 BSX Stroke

Stroke(mm)	100	200	300	400	500	600	700	800	900	1000
L_1 (mm)	342	442	542	642	742	842	942	1042	1142	1242
L_m (mm)	60									
Mass(kg)	6.8	7.7	8.6	9.5	10.4	11.3	12.2	13.1	14.0	14.9



SD 120X60 BS Specification

Carring Capacity	Horizontal 25kg Vertical 8 kg
Rated Thrust	216N(22kgf)
Moment Load	M_x 11.7N·m(1.2kgf·m), M_y 22.5N·m(2.3kgf·m), M_z 24.5N·m(2.5kgf·m)
Max. Speed	500mm/s
Feeder Drive	Precision Ball Screw(C7 Class) ϕ 15mm Lead 10mm
Repeatability	\pm 0.02mm
Motor [Torque]	5 phase Stepping Motor [0.81N·m(8.3kgf·cm)]
Material	Al Alloy
Sensor	Photo Micro Sensor