

# OZAK SBA series (Aluminum Die Casting)

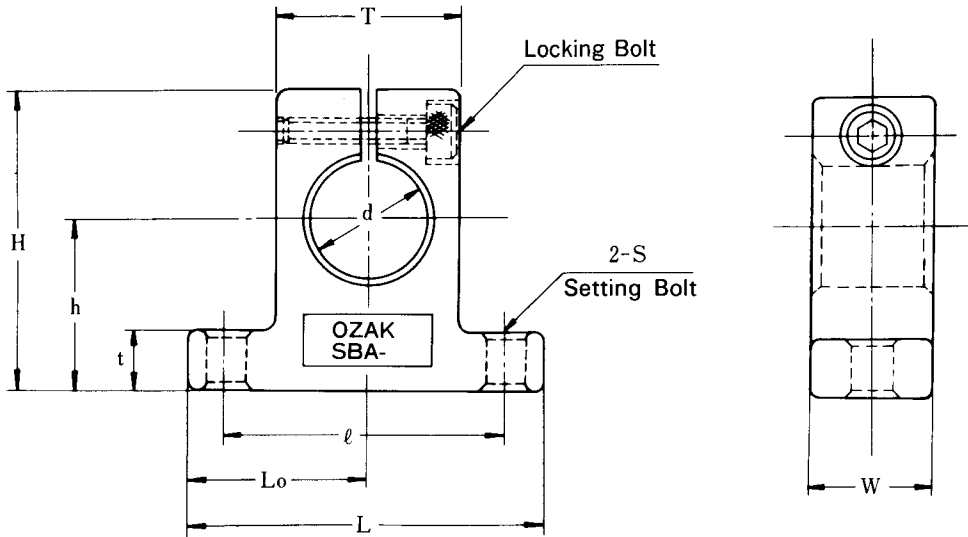


Table 60 : SBA Series Dimensions Table

Model No.	Shaft Diameter	Major Dimensions (mm)								Setting		Locking	Max Locking Torque kgf·cm	Weight (gf)
	d(mm)	h	H	t	L	L <sub>0</sub>	ℓ	W	T	S	Bolts	Bolts		
<b>SBA10</b>	10	20	33	6	42	21	32	14	18	5.5	M5	M4	3.0	20
<b>SBA12</b>	12	23	37	6	42	21	32	14	20	5.5	M5	M4	3.0	26
<b>SBA13</b>	13	23	38	6	42	21	32	14	20	5.5	M5	M4	3.0	26
<b>SBA16</b>	16	27	44	8	48	24	38	16	25	5.5	M5	M4	5.0	40
<b>SBA20</b>	20	31	51	10	60	30	45	20	30	6.6	M6	M5	5.0	74
<b>SBA25</b>	25	35	60	12	70	35	56	24	38	6.6	M6	M6	10.0	127
<b>SBA30</b>	30	42	70	12	84	42	64	28	44	9.0	M8	M6	10.0	195

\* Material : Aluminum Die Casting

Table 61 : Permissible Tolerances

Basic Dimensions	Tolerances (mm)
h	±0.02
L <sub>0</sub>	±0.05