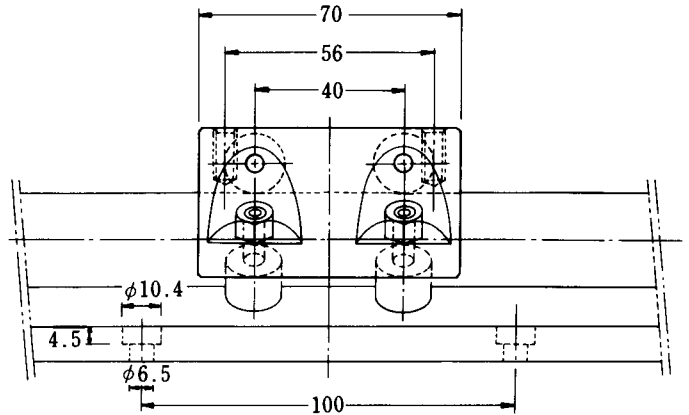
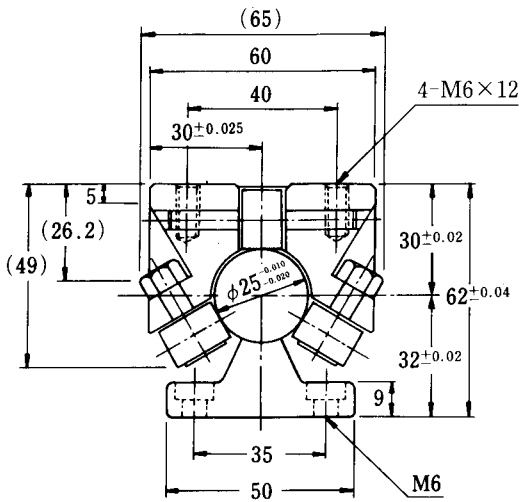


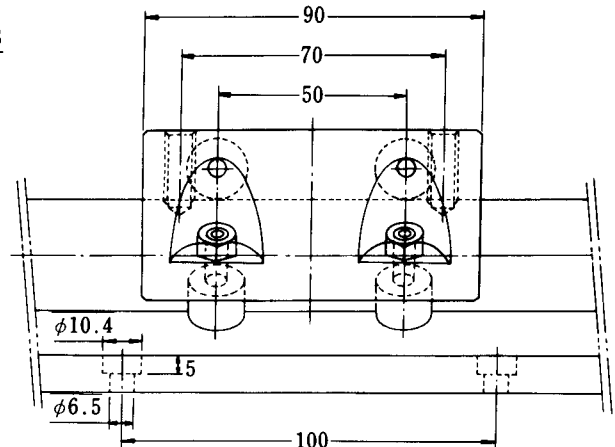
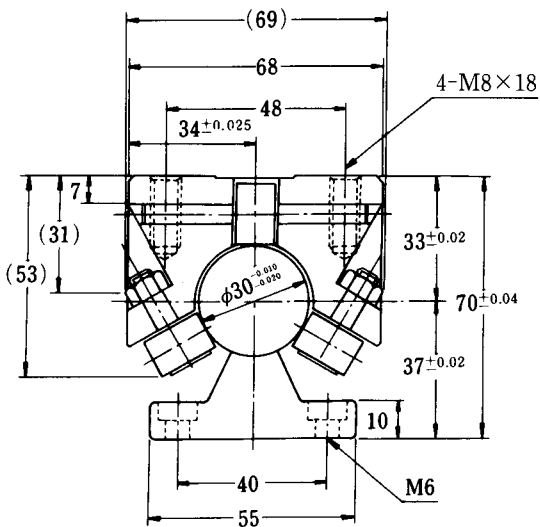
<Roller Guide for Shock Resistance>

RGB25 Series



C = 475Kgf Co = 510Kgf

RGB30 Series



C = 475Kgf Co = 510Kgf