

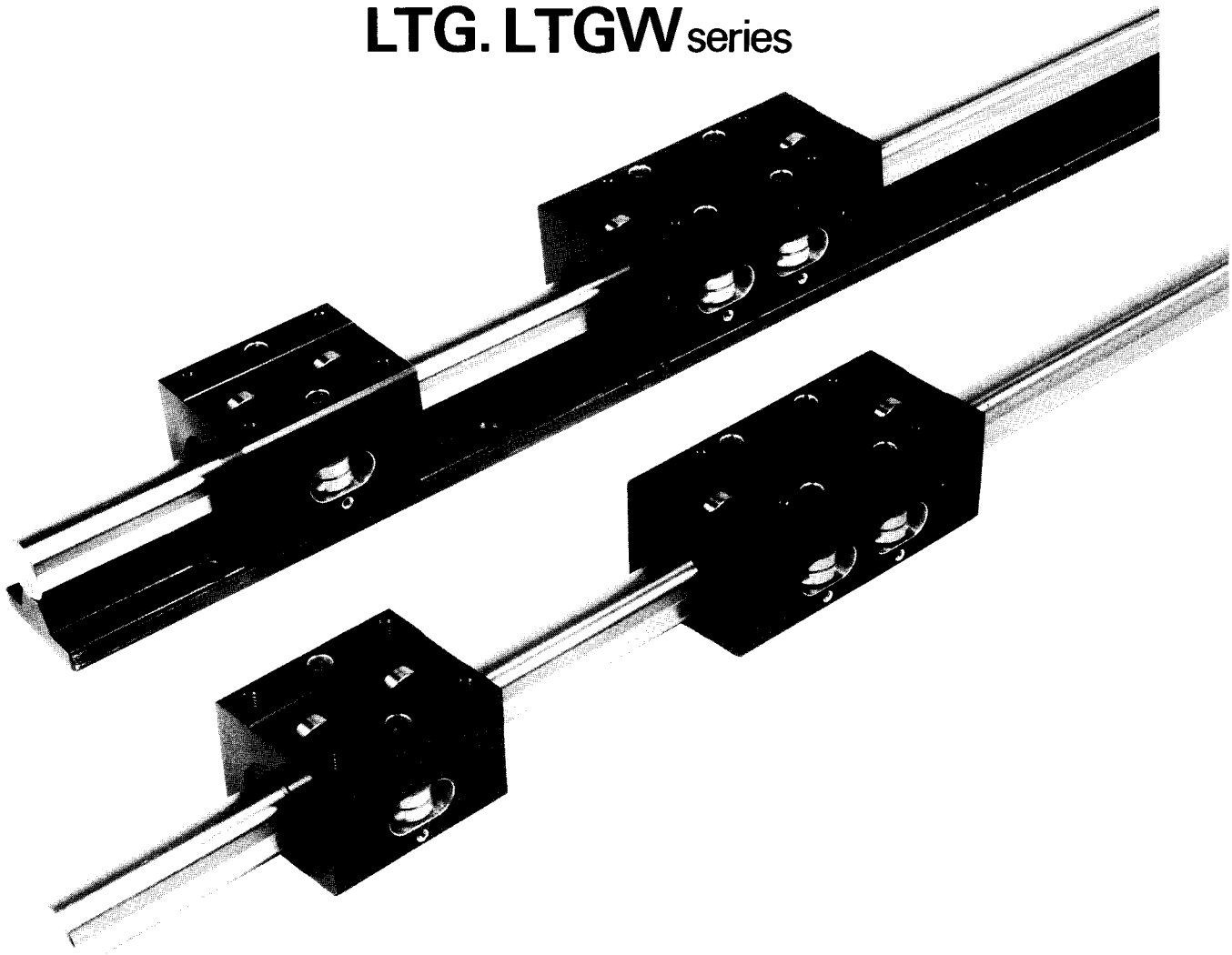
# QZAK

## LINEAR TORQUE BEARINGS

Under Patent Application

LT.LTW series

LTG.LTGW series



**No Impact Noises!!**

**No Rolling Vibrations!!**

**QZAK offers a No-Jolt, Super Silent,  
Smooth Linear Torque Motion!!**

# Features

1. **QZAK** super linear torque, LT and LTG series, provide a quiet and smooth linear torque motion. This series has eliminated the structural defects in the existing ball splines and linear bearings for torque transmission where there were no effective methods to prevent both the impact noises caused by the direct collision of the balls and the rolling noises caused by the complicated raceways for the circulating motion of the balls.

2. The series provides linear torque motion without any jolts, because of the clearance adjustment mechanism in the housing.

Note: The clearance adjustment is completed prior to shipment. Additional adjustment is not required.

3. Because of the compact housing which is made of a high grade aluminium alloy and features excellent corrosion resistance, the host machine can be made in a lighter, thinner and shorter construction.

4. A smooth and stable linear torque motion can be obtained, because of the extremely low frictional resistance and its uniform distribution during operation, when compared with existing ballsplines and linear guides.

5. Because of the extremely quiet rolling noises of the balls even during high-speed operation, an improved work environment can be expected.

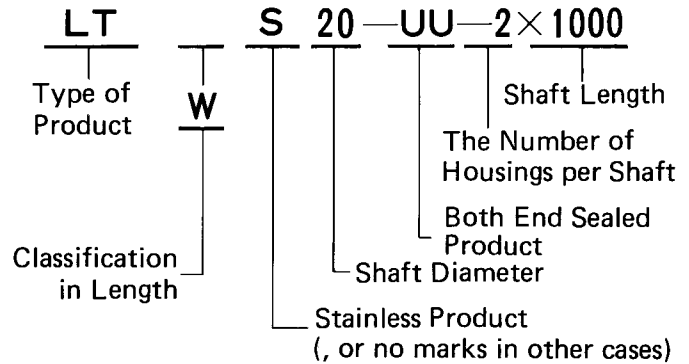
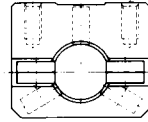
6. Neither grease nor oil lubrication is required under normal conditions. Use the both end sealed products, when a dusttight construction is required.

Note: The both end sealed products require regular lubrication due to the increased sliding resistance from the additional sealing. This series is best suited for use in a clean room because neither sealing nor lubrication is required.

7. Two different kinds of the housing length are available in this series. Make the best choice corresponding to the installation space in the host machine. Also, the LTS and LTGS series with its stainless bearings are available for rustproof specifications.

# Types and Numbering System

## • Linear Torque Housing Type



## • Linear Torque Guide Type

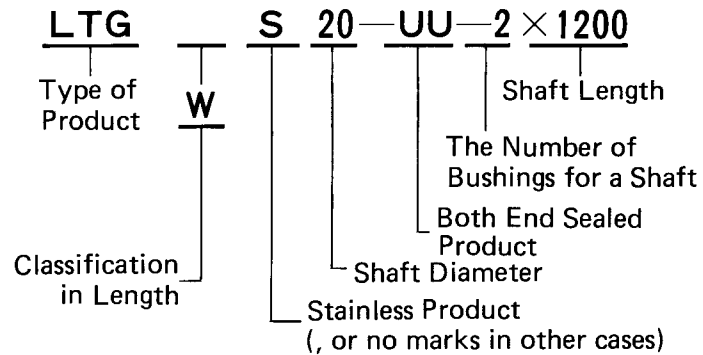
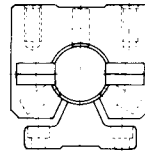


Table 1 15 : Classification in Length

No Mark	W

# Rated Life

Formulas, P22 (1) and (2), are also applicable to the rated life calculation for this series.

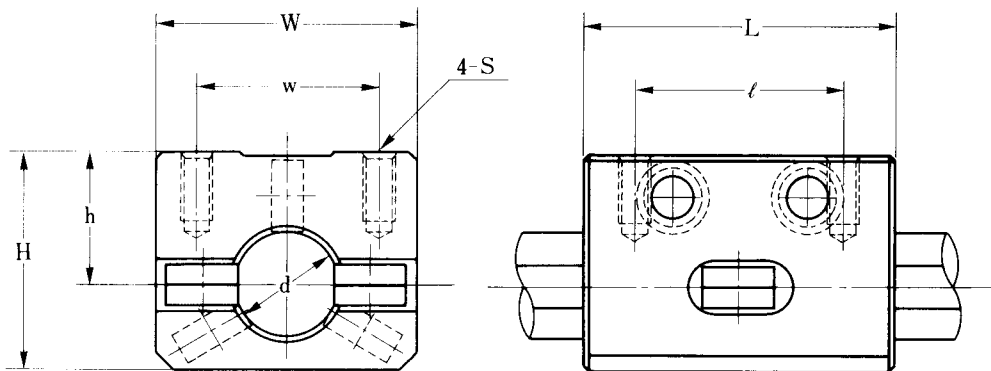


Table 116 : LT Series Dimensions Table

Model No.		Shaft Diameter d (mm)	Major Dimensions (mm)							Weight (kgf)	Basic Load Ratings		Moment Load Ratings	
Standard Type	Both Sides Sealed		H	$h^{\pm 0.02}$	W	w	L	ℓ	S		C (kgf)	$C_0$ (kgf)	$M_x$ (kgf·m)	$M_y$ (kgf·m)
<b>LT16</b>	<b>LT16-UU</b>	16	36	22	45	30	54	42	M5	0.21	82	58	0.25	1.06
<b>LT20</b>	<b>LT20-UU</b>	20	41	25	50	35	60	46	M6	0.29	114	82	0.34	1.50
<b>LT25</b>	<b>LT25-UU</b>	25	48	30	60	40	70	56	M6	0.48	184	126	0.53	2.68
<b>LT30</b>	<b>LT30-UU</b>	30	54	33	68	48	90	70	M8	0.73	202	144	0.54	4.84

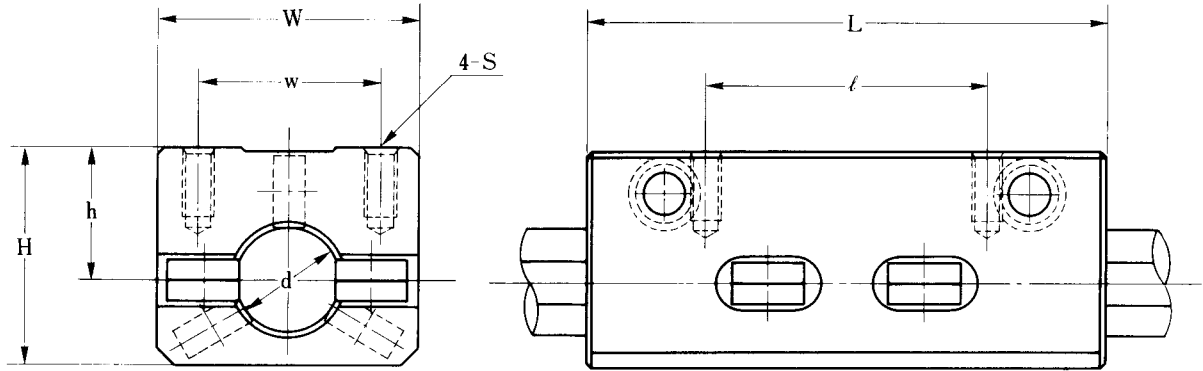


Table 117 : LTW Series Dimensions Table

Model No.		Shaft Diameter d (mm)	Major Dimensions (mm)							Weight (kgf)	Basic Load Ratings		Moment Load Ratings		
Standard Type	Both Sides Sealed		H	$h^{+0.02}$	W	w	L	$\varnothing$	S		C (kgf)	$C_0$ (kgf)	$M_x$ (kgf·m)	$M_y$ (kgf·m)	$M_z$ (kgf·m)
<b>LTW16</b>	<b>LTW16-UU</b>	16	36	22	45	30	90	48	M5	0.36	82	58	0.50	1.97	3.00
<b>LTW20</b>	<b>LTW20-UU</b>	20	41	25	50	35	100	54	M6	0.48	114	82	0.67	3.50	4.02
<b>LTW25</b>	<b>LTW25-UU</b>	25	48	30	60	40	130	72	M6	0.83	184	126	1.06	6.03	8.80
<b>LTW30</b>	<b>LTW30-UU</b>	30	54	33	68	48	150	86	M8	1.16	202	144	1.08	9.68	10.80