

# OZAK ●●● LHW, MLHW series (Grease Nipple)

Aluminum linear housing with grease nipple which is installed two linear bearings and also have Non-Rust models (M Series)

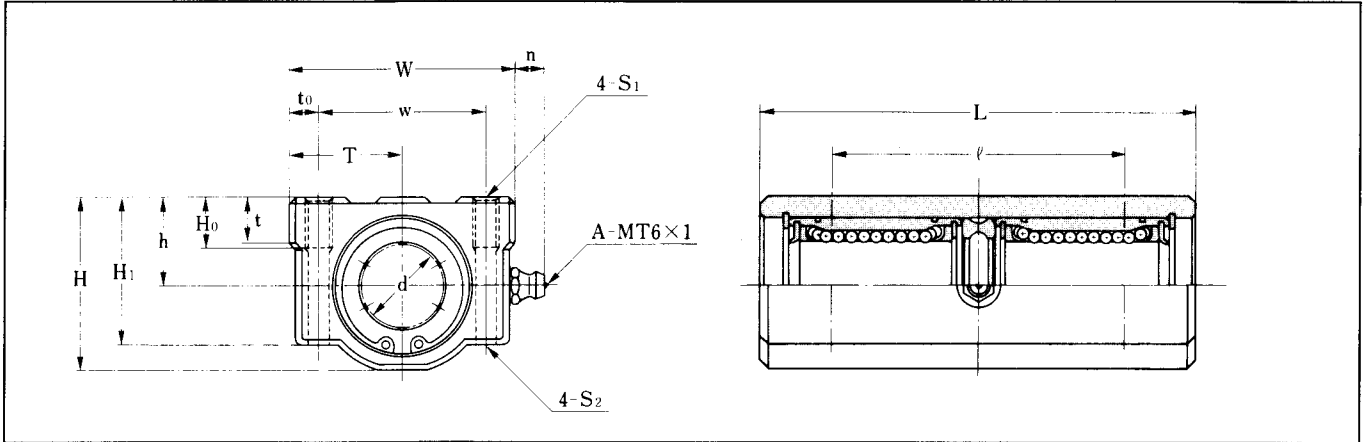
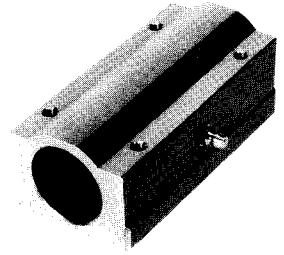
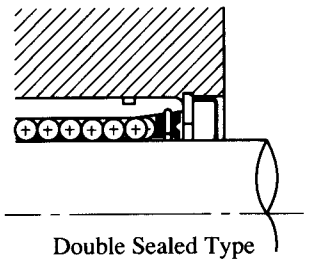
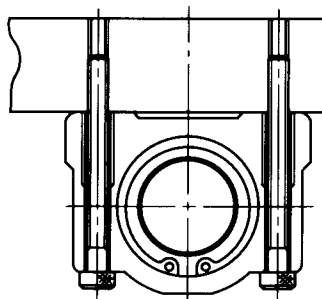
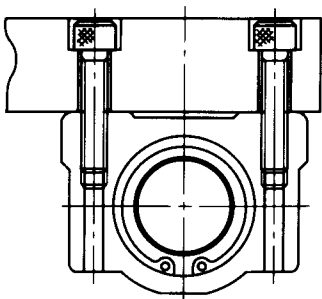


Table 51 : LHW, MLHW Series Dimensions Table

Standard	Major Dimensions (mm)													Setting Bolts		Model No. of Linear Bearing	Weight (kgf)	Basic Load Ratings	
	Non-Rust	d	h <sup>±0.02</sup>	W	w	n	T <sup>±0.02</sup>	t <sub>0</sub>	H	H <sub>1</sub>	H <sub>0</sub>	t	L	φ	S <sub>1</sub>			S <sub>2</sub>	C
<b>LHW16</b> <b>MLHW16</b>	16	19	50	36	7	25	7	37	31.5	12	9	96	60	M5	M4	<b>L16-U×2</b> <b>ML16-U×2</b>	0.44	92	152
<b>LHW20</b> <b>MLHW20</b>	20	21	54	40	7	27	7	41	35	12	11	108	70	M6	M4	<b>L20-U×2</b> <b>ML20-U×2</b>	0.57	104	206
<b>LHW25</b> <b>MLHW25</b>	25	26	76	54	6.5	38	11	51	42.5	18	12	144	100	M8	M6	<b>L25B-U×2</b> <b>ML25-U×2</b>	1.38	208	386
<b>LHW30</b> <b>MLHW30</b>	30	30	78	58	6.5	39	10	57	48.5	18	15	156	110	M8	M6	<b>L30A-U×2</b> <b>ML30-U×2</b>	1.63	296	452
<b>LHW35</b> <b>MLHW35</b>	35	34	92	70	6.5	46	11	65	54	24	20	170	120	M10	M8	<b>L35-U×2</b> <b>ML35-U×2</b>	2.37	334	500
<b>LHW40</b> <b>MLHW40</b>	40	40	102	80	6.5	51	11	75	64	25	22	190	140	M10	M8	<b>L40-U×2</b> <b>ML40-U×2</b>	3.90	560	800



Double Sealed Type

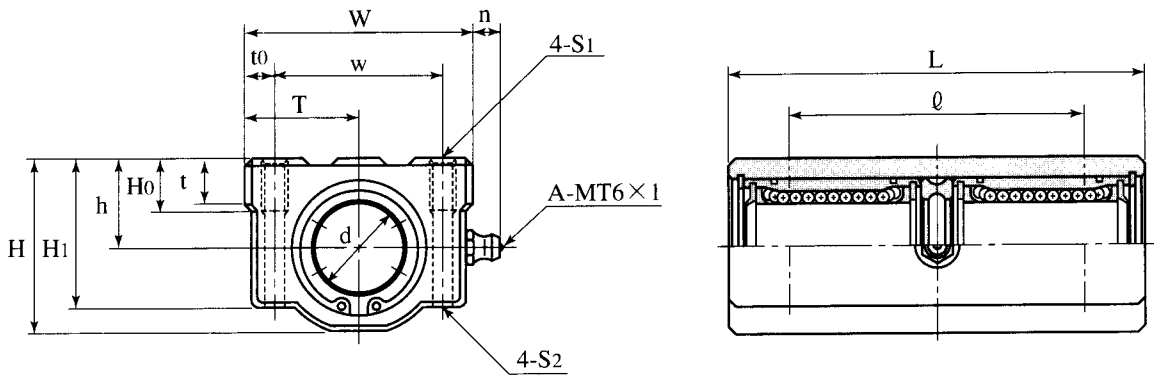
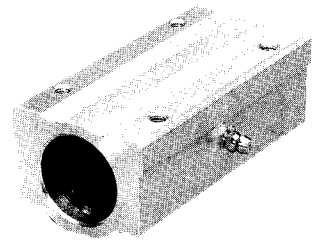


Table 52 : LHW-B, MLHW-B Series Dimensions Table

Standard	Major Dimensions (mm)												Setting Bolts		Model No. of Linear Bearing	Weight (kgf)	Basic Load Ratings		
	d	$h^{±0.02}$	W	w	n	$T^{±0.02}$	$t_0$	H	H <sub>1</sub>	H <sub>0</sub>	t	L	ø	S <sub>1</sub>			S <sub>2</sub>	C	C <sub>0</sub>
LHW10B MLHW10B	10	13	40	28	7	20	6	26	21.5	10	8	68	46	M5	M4	L10-U×2 ML10-U×2	0.18	40	60
LHW12B MLHW12B	12	15	42	30.5	8	21	5.75	29	24	10	8	70	50	M5	M4	L12-U×2 ML12-U×2	0.21	56	86
LHW13B MLHW13B	13	15	44	33	7.5	22	5.5	30.5	25	12	9	75	50	M5	M4	L13-U×2 ML13-U×2	0.24	60	104
LHW16B MLHW16B	16	19	50	36	7	25	7	37	31.5	12	9	85	60	M5	M4	L16-U×2 ML16-U×2	0.40	92	152
LHW20B MLHW20B	20	21	54	40	7	27	7	41	35	12	11	96	70	M6	M4	L20-U×2 ML20-U×2	0.57	104	206
LHW25B MLHW25B	25	26	76	54	6.5	38	11	51	42.5	18	12	130	100	M8	M6	L25B-U×2 ML25-U×2	1.20	208	386
LHW30B MLHW30B	30	30	78	58	6.5	39	10	57	48.5	18	15	140	110	M8	M6	L30A-U×2 ML30-U×2	1.48	296	452
LHW35B MLHW35B	35	34	90	70	6.5	45	10	65	54	24	20	155	120	M8	M6	L35-U×2 ML35-U×2	2.20	334	500
LHW40B MLHW40B	40	40	102	80	6.5	51	11	75	64	25	22	175	140	M10	M8	L40-U×2 ML40-U×2	3.20	560	800
LHW50B MLHW50B	50	52	122	100	5	61	11	101	80	25	25	215	160	M10	M8	L50B-U×2 ML50B-U×2	6.70	804	1294
LHW60B	60	58	132	108	5	66	12	114	94	25	30	240	180	M12	M10	L60-U×2	8.56	982	1450