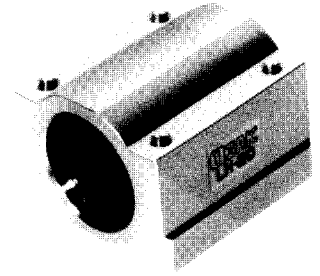


OZAK LH, MLH series



Aluminum linear housing which is installed one linear bearing and also have Non-Rust models (M Series)

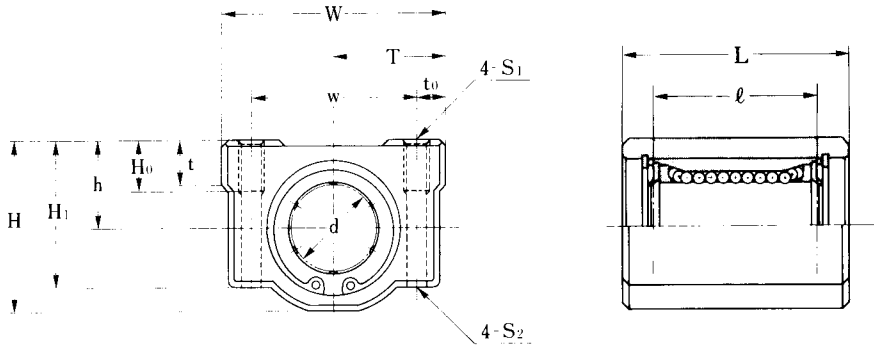
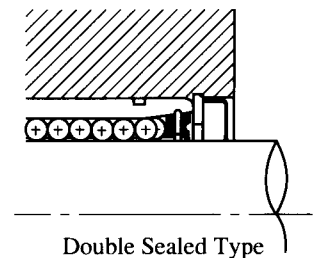
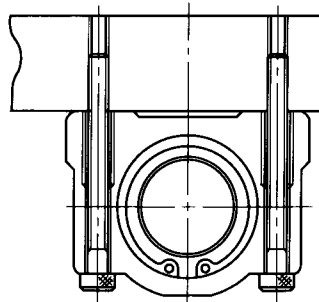
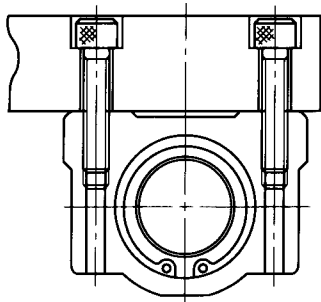


Table 48 : LH, MLH Series Dimensions Table

Standard Non-Rust	Shaft Diameter d (mm)	Major Dimensions (mm)											Setting Bolts		Model No. of Linear Bearing	Weight (kgf)	Basic Load Ratings	
		$h^{\pm 0.02}$	W	w	$T^{\pm 0.02}$	t_0	H	H_1	H_0	t	L	ℓ	S_1	S_2			C (kgf)	C_0 (kgf)
LH10 MLH10	10	15	43	30.5	21.5	6.25	29	23	10	8	38	26	M5	M4	L10-UU ML10-UU	0.11	20	30
LH12 MLH12	12	15	43	30.5	21.5	6.25	29	24	10	8	39	26	M5	M4	L12-UU ML12-UU	0.11	28	43
LH13 MLH13	13	16	44	33	22	5.5	31	25	12	9	39	26	M5	M4	L13-UU ML13-UU	0.13	30	52
LH16 MLH16	16	19	50	36	25	7	37	31.5	12	9	49	34	M5	M4	L16-UU ML16-UU	0.20	46	76
LH20 MLH20	20	21	54	40	27	7	41	35	12	11	55	40	M6	M4	L20-UU ML20-UU	0.28	52	103
LH25 MLH25	25	26	76	54	38	11	51	42.5	18	12	73	50	M8	M6	L25B-UU ML25-UU	0.65	104	193
LH30 MLH30	30	30	78	58	39	10	57	48.5	18	15	80	58	M8	M6	L30A-UU ML30-UU	0.80	148	226
LH35 MLH35	35	34	92	70	46	11	65	54	22	20	86	58	M10	M8	L35-UU ML35-UU	1.10	167	250
LH40 MLH40	40	40	102	80	51	11	75	64	25	22	96	60	M10	M8	L40-UU ML40-UU	1.65	280	400



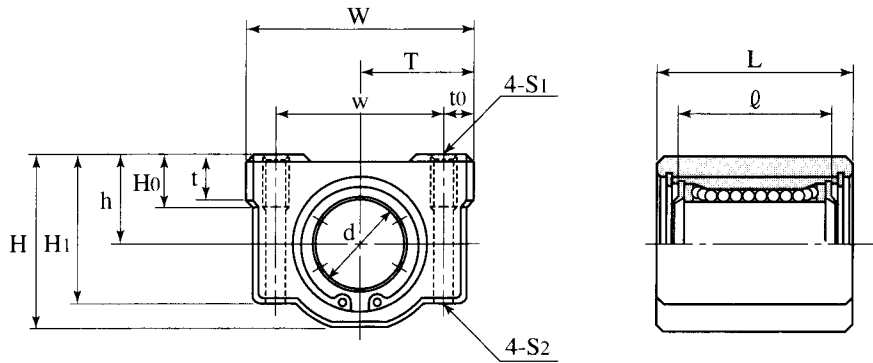
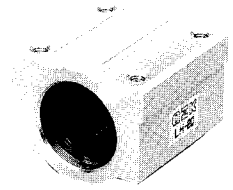


Table 49 : LH-B, MLH-B Series Dimensions Table

Standard Non-Rust	Shaft Diameter d (mm)	Major Dimensions (mm)											Setting Bolts		Model No. of Linear Bearing	Weight (kgf)	Basic Load Ratings	
		$h_{\pm 0.02}$	W	w	$T_{\pm 0.02}$	t_0	H	H_1	H_0	t	L	ϕ	S ₁	S ₂			C	C ₀
LH10B MLH10B	10	13	40	28	20	6	26	21.5	10	8	35	21	M5	M4	L10-UU ML10-UU	0.11	20	30
LH12B MLH12B	12	15	42	30.5	21	5.75	29	24	10	8	36	26	M5	M4	L12-UU ML12-UU	0.11	28	43
LH13B MLH13B	13	15	44	33	22	5.5	30.5	25	12	9	39	26	M5	M4	L13-UU ML13-UU	0.13	30	52
LH16B MLH16B	16	19	50	36	25	7	37	31.5	12	9	44	34	M5	M4	L16-UU ML16-UU	0.20	46	76
LH20B MLH20B	20	21	54	40	27	7	41	35	12	11	50	40	M6	M4	L20-UU ML20-UU	0.28	52	103
LH25B MLH25B	25	26	76	54	38	11	51	42.5	18	12	67	50	M8	M6	L25B-UU ML25-UU	0.65	104	193
LH30B MLH30B	30	30	78	58	39	10	57	48.5	18	15	72	58	M8	M6	L30A-UU ML30-UU	0.80	148	226
LH35B MLH35B	35	34	90	70	45	10	65	54	22	20	80	60	M8	M6	L35-UU ML35-UU	1.10	167	250
LH40B MLH40B	40	40	102	80	51	11	75	64	25	22	90	60	M10	M8	L40-UU ML40-UU	1.65	280	400
LH50B MLH50B	50	52	122	100	61	11	101	80	25	25	110	80	M10	M8	L50B-UU ML50B-UU	3.40	402	647
LH60B	60	58	132	108	66	12	114	94	25	30	122	90	M12	M10	L60-UU	4.30	491	725