

# LFWK-OH, MLFWK-OH series (Grease Nipple)

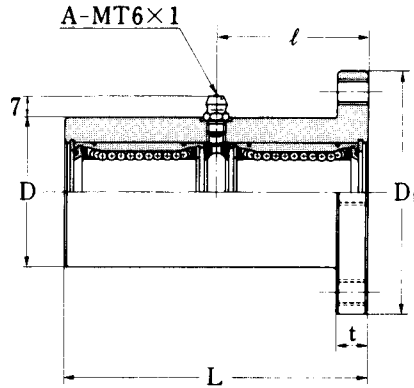
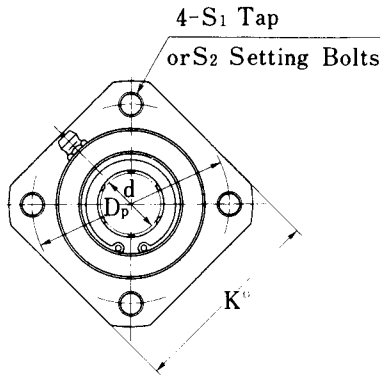
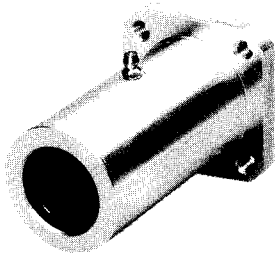


Table 38 : LFWK-OH, MLFWK-OH (Grease Nipple) Series Dimensions Table

Standard	Major Dimensions (mm)											Number of Ball Circuits	Model No. of Linear Bearing	Weight (kgf)	Basic Load Ratings	
	Non-Rust	d	Dh <sub>6</sub>	L	ℓ	Df	K	t	Dp	S <sub>1</sub>	S <sub>2</sub>				C	C <sub>0</sub>
LFWK16-OH MLFWK16-OH	16	0 -0.009	42	88	44	72	58	9	58	M8	M6	5	L16-U×2 ML16-U×2	0.38	92	152
LFWK20-OH MLFWK20-OH	20	0 -0.010	48	98	49	78	62	10	64	M8	M6	5	L20-U×2 ML20-U×2	0.51	104	206
LFWK25-OH MLFWK25-OH	25		58	134	67	90	72	11	76	M8	M6	6	L25B-U×2 ML25-U×2	1.02	208	386
LFWK30-OH MLFWK30-OH	30	0 -0.012	65	144	72	104	84	12	86	M10	M8	6	L30A-U×2 ML30-U×2	1.44	296	452
LFWK35-OH MLFWK35-OH	35		72	158	79	112	90	13	94	M10	M8	6	L35-U×2 ML35-U×2	1.70	334	500
LFWK40-OH MLFWK40-OH	40	0 -0.015	84	178	89	124	100	14	106	M10	M8	6	L40-U×2 ML40-U×2	2.75	560	800
LFWK50-OH MLFWK50-OH	50		102	224	112	150	124	15	128	M12	M10	6	L50A-U×2 ML50A-U×2	4.48	804	1,294
LFWK60-OH	60	0 -0.015	120	244	122	170	140	15	146	M12	M10	6	L60-U×2	6.40	982	1,450