

# QZAK LFWB, MLFWB series (Grease Nipple)

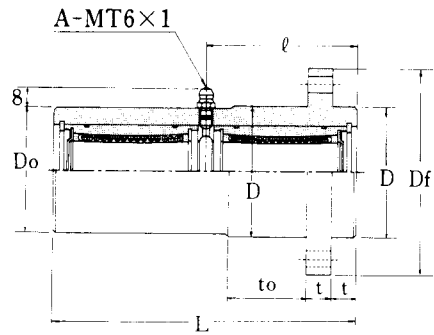
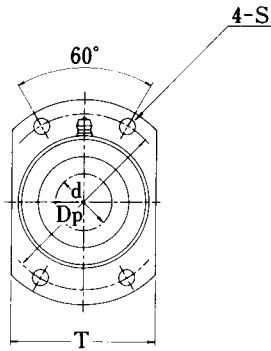
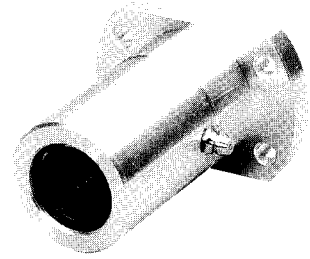


Table 39 : LFWB, MLFWB Series Dimensions Table

Standard Non-Rust	Major Dimensions (mm)												Number of Ball Circuits	Model No. of Linear Bearing	Weight (kgf)	Basic Load Ratings	
	d	Dh <sub>e</sub>	D <sub>o</sub>	L	ℓ	Df	Dp	Flange		T	t	t <sub>o</sub>				S	C
<b>LFWB16</b> <b>MLFWB16</b>	16	0 -0.009	42	41	88	44	72	58	48	9	20	φ7	5	<b>L16-U×2</b> <b>ML16-U×2</b>	0.38	92	152
<b>LFWB20</b> <b>MLFWB20</b>	20		48	47	98	49	78	64	54	10	22	φ7	5	<b>L20-U×2</b> <b>ML20-U×2</b>	0.51	104	206
<b>LFWB25</b> <b>MLFWB25</b>	25	0 -0.010	58	57	134	67	90	76	64	11	30	φ7	6	<b>L25B-U×2</b> <b>ML25-U×2</b>	1.02	208	386
<b>LFWB30</b> <b>MLFWB30</b>	30		65	63	144	72	104	86	72	12	35	φ9	6	<b>L30A-U×2</b> <b>ML30-U×2</b>	1.44	296	452
<b>LFWB35</b> <b>MLFWB35</b>	35	0	72	70	158	79	112	94	80	13	40	φ9	6	<b>L35-U×2</b> <b>ML35-U×2</b>	1.70	334	500
<b>LFWB40</b> <b>MLFWB40</b>	40	0 -0.012	84	82	178	89	124	106	94	14	45	φ9	6	<b>L40-U×2</b> <b>ML40-U×2</b>	2.75	560	800