

LFLKC6, 8 : Without Grease Nipple

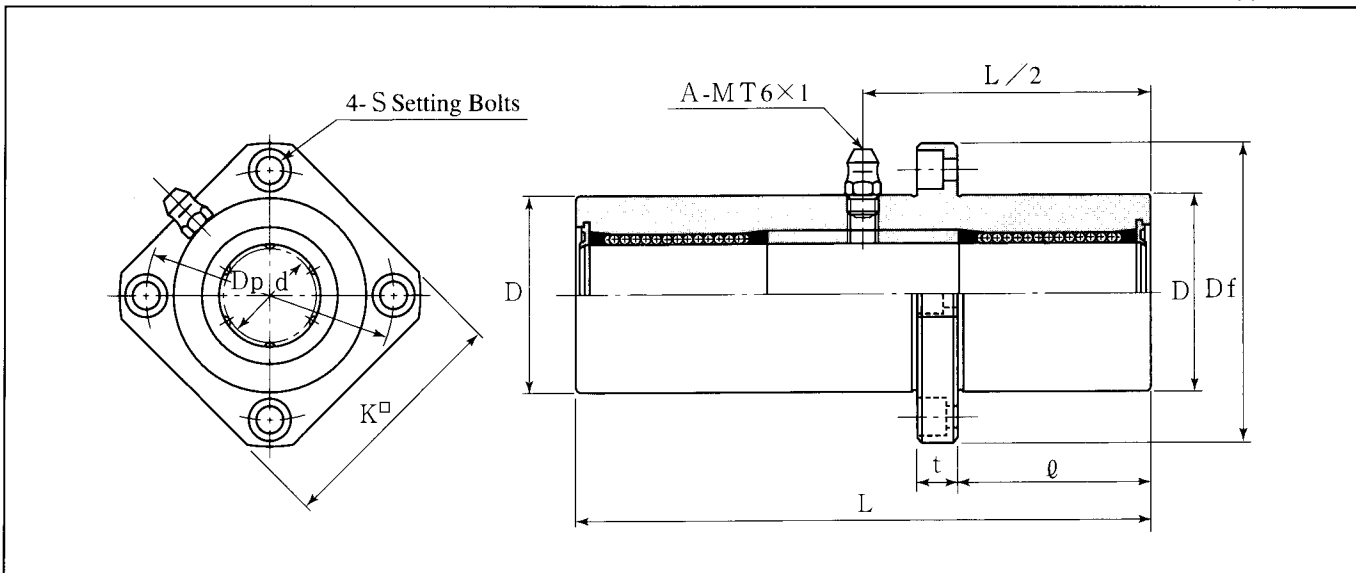


Table 33 : LFLKC, MLFLKC Series Dimensions Table

Standard	Non-Rust	Major Dimensions (mm)											Number of Ball Circuits	Weight (kgf)	Basic Load Ratings		
		d	D		L	Flange					S	C (kgf)			C <sub>0</sub> (kgf)		
Both Sides Sealed	Both Sides Sealed						ℓ	Df	K	t			Dp				
LFLKC 6-UU	MLFLKC 6-UU	6	0 -0.012	15	0 -0.018	51	0 -0.3	17	32	25	5	24	M3	4	0.06	14	22
LFLKC 8-UU	MLFLKC 8-UU	8		19		66		22	39	30	6	29	M4	4	0.12	22	32
LFLKC10-UU	MLFLKC10-UU	10		23	0 -0.021	80		27	43	34	6	33	M4	4	0.19	40	60
LFLKC12-UU	MLFLKC12-UU	12	0 -0.015	26		84	0 -0.4	28	46	35	6	36	M4	4	0.23	56	86
LFLKC13-UU	MLFLKC13-UU	13		28		90		30	48	37	6	38	M4	4	0.29	60	104
LFLKC16-UU	MLFLKC16-UU	16		32		103		35	54	42	8	43	M5	5	0.38	92	152
LFLKC20-UU	MLFLKC20-UU	20	0 -0.018	40	0 -0.025	118	0 -0.4	40	62	50	8	51	M5	5	0.72	104	206
LFLKC25-UU	MLFLKC25-UU	25		45		165		55	74	58	10	60	M6	6	1.17	208	386
LFLKC30-UU	MLFLKC30-UU	30		52	0 -0.030	182		61	82	64	10	67	M6	6	1.55	296	452

Outer sleeve for standard type treated OZAK M series. (Non-Rust)