

LFLKB6, 8 : Without Grease Nipple

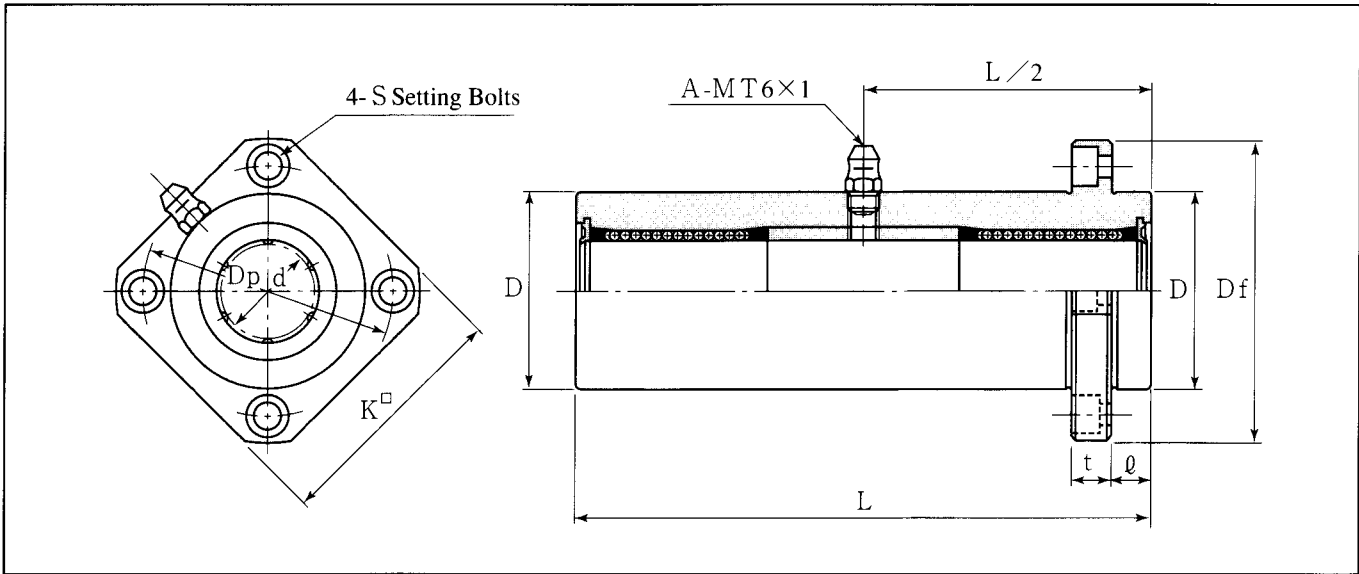


Table 31 : LFLKB, MLFLKB Series Dimensions Table

Standard	Non-Rust	Major Dimensions (mm)											Number of Ball Circuits	Weight (kgf)	Basic Load Ratings	
		d	D		L	Flange					S	C			C ₀	
Both Sides Sealed	Both Sides Sealed		ø	Df		K	t	Dp	S							
LFLKB6-UU	MLFLKB6-UU	6	0 -0.012	15	0 -0.018	51	5	32	25	5	24	M3	4	0.06	14	22
LFLKB8-UU	MLFLKB8-UU	8		19	66	6										
LFLKB10-UU	MLFLKB10-UU	10	23	0 -0.021	80		0 -0.3	6	43	34	6	33	M4	4	0.19	40
LFLKB12-UU	MLFLKB12-UU	12	0 -0.015	26	84	8	46	35	6	36	M4	4	0.23	56	86	
LFLKB13-UU	MLFLKB13-UU	13		28												90
LFLKB16-UU	MLFLKB16-UU	16	0 -0.025	32	103	8	54	42	8	43	M5	5	0.38	92	152	
LFLKB20-UU	MLFLKB20-UU	20		40												118
LFLKB25-UU	MLFLKB25-UU	25	0 -0.018	45	165	0 -0.4	10	74	58	10	60	M6	6	1.17	208	386
LFLKB30-UU	MLFLKB30-UU	30	52	0 -0.030												

Outer sleeve for standard type treated OZAK M series. (Non-Rust)