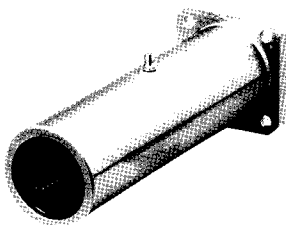


# LFLK, MLFLK series (Grease Nipple)



LFLK6, 8 : Without Grease Nipple

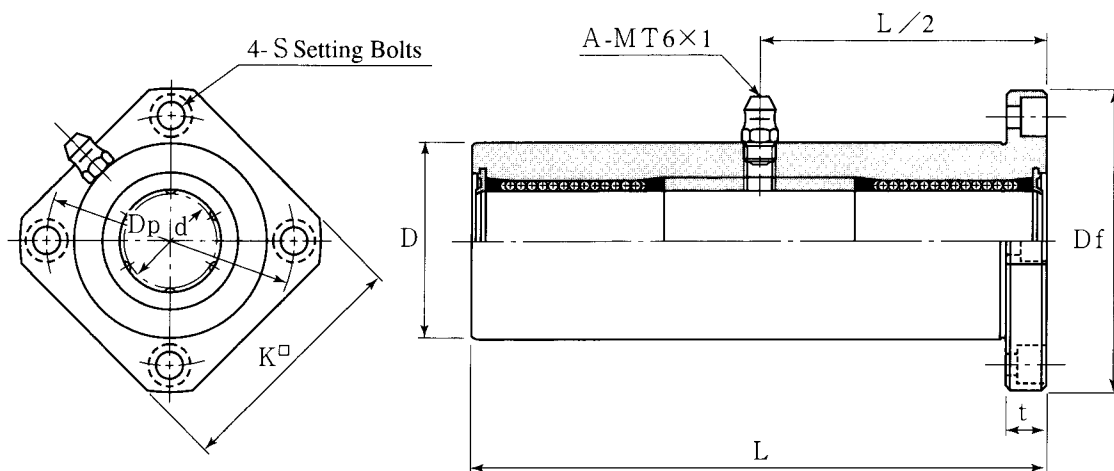


Table 29 : LFLK, MLFLK Series Dimensions Table

Standard	Non-Rust	Major Dimensions (mm)										Number of Ball Circuits	Weight (kgf)	Basic Load Ratings		
		d	D		L	Flange				S	C			C <sub>0</sub>		
Both Sides Sealed	Both Sides Sealed					Df	K	t	Dp							
LFLK6-UU	MLFLK6-UU	6	0 -0.012	15	0 -0.018	51	0 -0.3	32	25	5	24	M3	4	0.06	14	22
LFLK8-UU	MLFLK8-UU	8		19		66		39	30	6	29	M4	4	0.12	22	32
LFLK10-UU	MLFLK10-UU	10	0 -0.015	23	0 -0.021	80	0 -0.4	43	34	6	33	M4	4	0.19	40	60
LFLK12-UU	MLFLK12-UU	12		26		84		46	35	6	36	M4	4	0.23	56	86
LFLK13-UU	MLFLK13-UU	13	28		90	48	37	6	38	M4	4	0.29	60	104		
LFLK16-UU	MLFLK16-UU	16	0 -0.018	32		103	0 -0.4	54	42	8	43	M5	5	0.38	92	152
LFLK20-UU	MLFLK20-UU	20		40	0 -0.025	118		62	50	8	51	M5	5	0.72	104	206
LFLK25-UU	MLFLK25-UU	25	45		165	74	58	10	60	M6	6	1.17	208	386		
LFLK30-UU	MLFLK30-UU	30	52	0 -0.030	182	82	64	10	67	M6	6	1.55	296	452		

Outer sleeve for standard type treated OZAK M series. (Non-Rust)