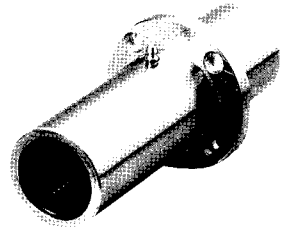


OZAK LFLC, MLFLC series (Grease Nipple)



LFLC6, 8 : Without Grease Nipple

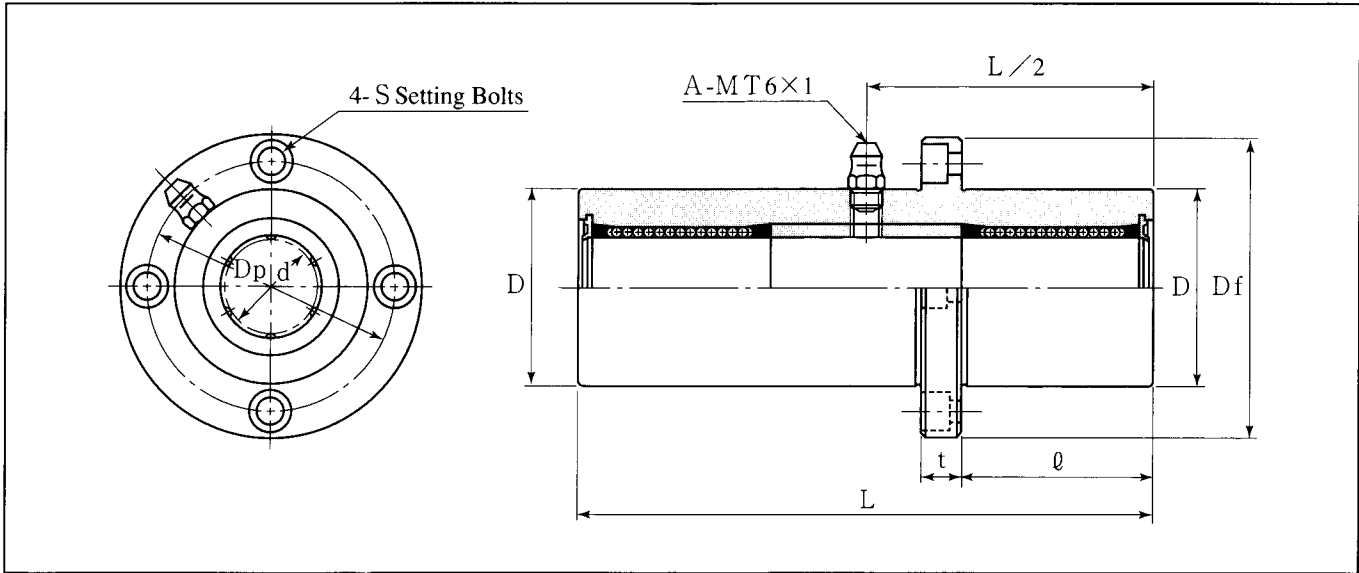


Table 32 : LFLC, MLFLC Series Dimensions Table

Standard	Non-Rust	Major Dimensions (mm)										Number of Ball Circuits	Weight (kgf)	Basic Load Ratings		
		d	D		L	Flange					C			C ₀		
Both Sides Sealed	Both Sides Sealed						∅	Df	t	Dp		S	(kgf)		(kgf)	(kgf)
LFLC 6-UU	MLFLC 6-UU	6	0 -0.012	15	0 -0.018	51	0 -0.3	17	32	5	24	M3	4	0.07	14	22
LFLC 8-UU	MLFLC 8-UU	8		19		66		22	39	6	29	M4	4	0.14	22	32
LFLC10-UU	MLFLC10-UU	10		23	0 -0.021	80		27	43	6	33	M4	4	0.21	40	60
LFLC12-UU	MLFLC12-UU	12	0 -0.015	26		84	0 -0.4	28	46	6	36	M4	4	0.25	56	86
LFLC13-UU	MLFLC13-UU	13		28		90		30	48	6	38	M4	4	0.31	60	104
LFLC16-UU	MLFLC16-UU	16		32		103		35	54	8	43	M5	5	0.42	92	152
LFLC20-UU	MLFLC20-UU	20	0 -0.018	40	0 -0.025	118	0 -0.4	40	62	8	51	M5	5	0.76	104	206
LFLC25-UU	MLFLC25-UU	25		45		165		55	74	10	60	M6	6	1.25	208	386
LFLC30-UU	MLFLC30-UU	30		52	0 -0.030	182		61	82	10	67	M6	6	1.64	296	452

Outer sleeve for standard type treated OZAK M series. (Non-Rust)