

LFLB6, 8 : Without Grease Nipple

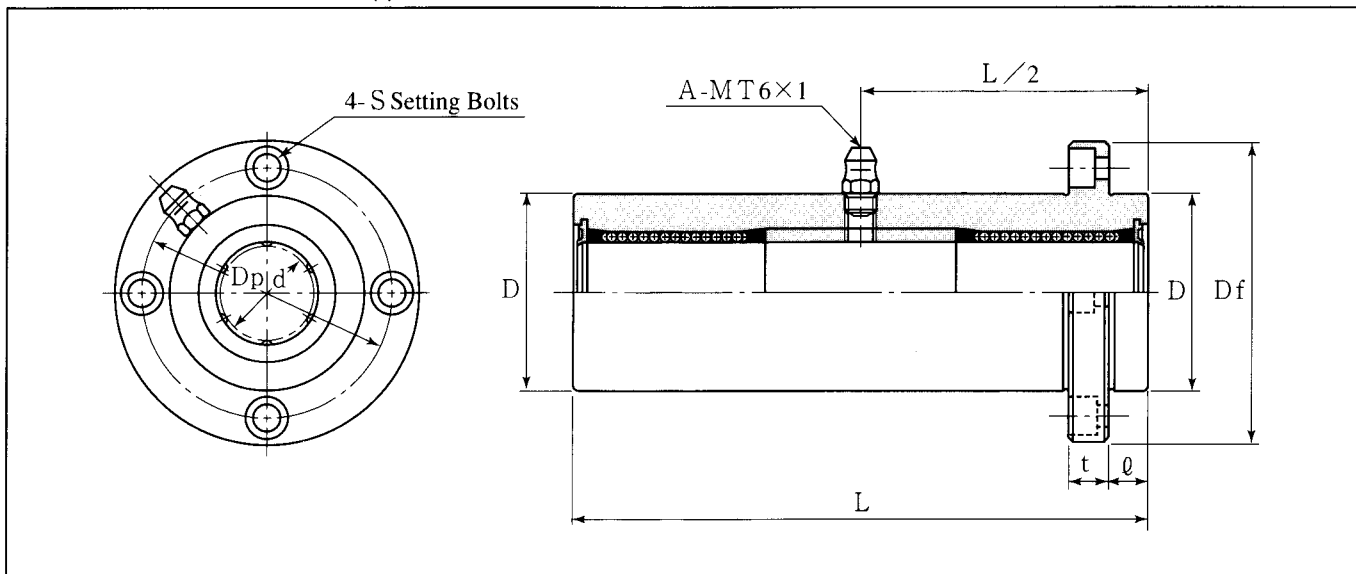


Table 30 : LFLB, MLFLB Series Dimensions Table

Standard	Non-Rust	Major Dimensions (mm)										Number of Ball Circuits	Weight (kgf)	Basic Load Ratings		
		d	D		L	Flange			S	C	C <sub>0</sub>					
Both Sides Sealed	Both Sides Sealed						ℓ	Df				t	Dp			
LFLB6-UU	MLFLB6-UU	6	0 -0.012	15	0 -0.018	51	0 -0.3	5	32	5	24	M3	4	0.07	14	22
LFLB8-UU	MLFLB8-UU	8		19		66		6	39	6	29	M4	4	0.14	22	32
LFLB10-UU	MLFLB10-UU	10		23	0 -0.021	80		6	43	6	33	M4	4	0.21	40	60
LFLB12-UU	MLFLB12-UU	12	0 -0.015	26		84	0 -0.4	6	46	6	36	M4	4	0.25	56	86
LFLB13-UU	MLFLB13-UU	13		28		90		6	48	6	38	M4	4	0.31	60	104
LFLB16-UU	MLFLB16-UU	16		32		103		8	54	8	43	M5	5	0.42	92	152
LFLB20-UU	MLFLB20-UU	20	0 -0.018	40	0 -0.025	118	0 -0.4	8	62	8	51	M5	5	0.76	104	206
LFLB25-UU	MLFLB25-UU	25		45		165		10	74	10	60	M6	6	1.25	208	386
LFLB30-UU	MLFLB30-UU	30		52	0 -0.030	182		10	82	10	67	M6	6	1.64	296	452

Outer sleeve for standard type treated OZAK M series. (Non-Rust)