

LFL6, 8 : Without Grease Nipple

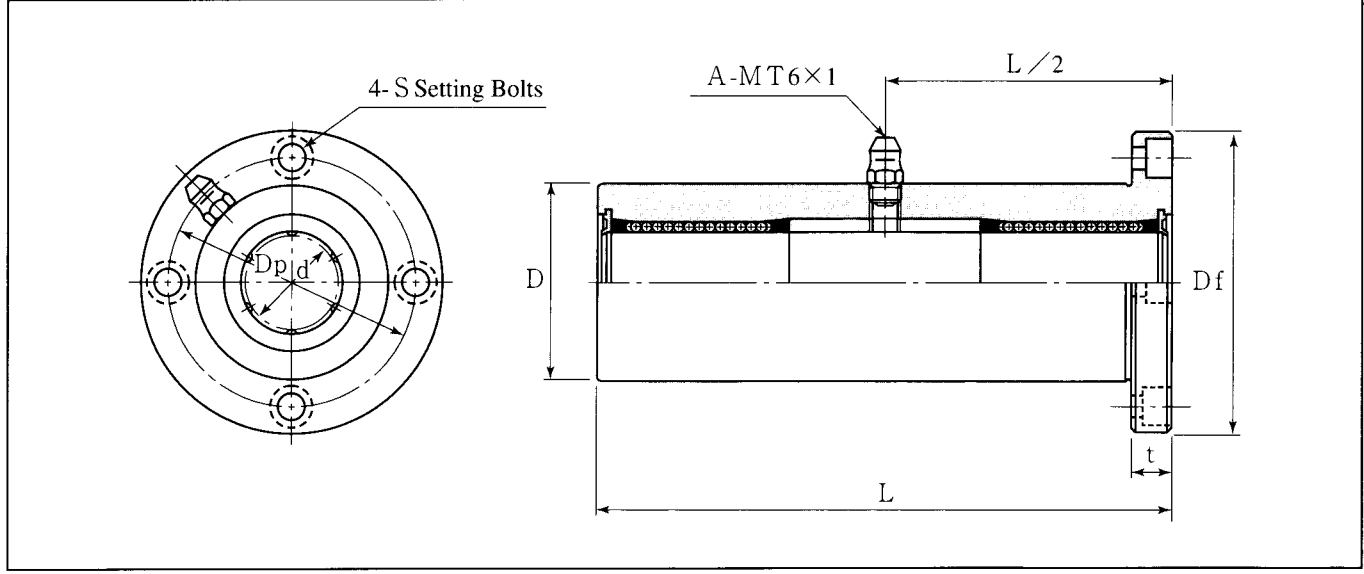


Table 28 : LFL, MLFL Series Dimensions Table

Standard	Non-Rust	Major Dimensions (mm)										Number of Ball Circuits	Weight (kgf)	Basic Load Ratings	
		d	D		L	Df	Flange			C	C ₀				
Both Sides Sealed	Both Sides Sealed							t	Dp			S			
LFL6-UU	MLFL6-UU	6	0 -0.012	15	0 -0.018	51	0 -0.3	32	5	24	M3	4	0.07	14	22
LFL8-UU	MLFL8-UU	8		19		66		39	6	29	M4	4	0.14	22	32
LFL10-UU	MLFL10-UU	10	0 -0.021	23		80	0 -0.4	43	6	33	M4	4	0.21	40	60
LFL12-UU	MLFL12-UU	12		26		84		46	6	36	M4	4	0.25	56	86
LFL13-UU	MLFL13-UU	13	0 -0.015	28		90	0 -0.4	48	6	38	M4	4	0.31	60	104
LFL16-UU	MLFL16-UU	16	32		103	54		8	43	M5	5	0.42	92	152	
LFL20-UU	MLFL20-UU	20	0 -0.018	40	0 -0.025	118	0 -0.4	62	8	51	M5	5	0.76	104	206
LFL25-UU	MLFL25-UU	25		45		165		74	10	60	M6	6	1.25	208	386
LFL30-UU	MLFL30-UU	30	0 -0.030	52		182	0 -0.4	82	10	67	M6	6	1.64	296	452

Outer sleeve for standard type treated OZAK M series. (Non-Rust)