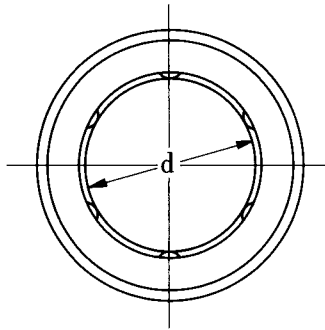


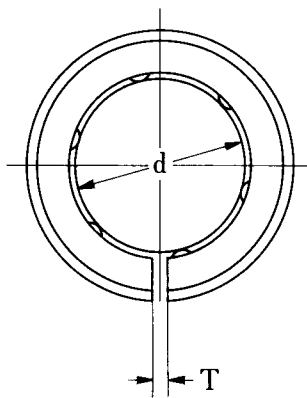
Table 9 : LE Series Dimensions Table

Shaft Dia (mm)	Model No.								
	Standard Type			Adjustable Type			Open Type		
	One Side Sealed	Both Sides Sealed		One Side Sealed	Both Sides Sealed		One Side Sealed	Both Sides Sealed	
6	LE 6	LE 6-U	LE 6-UU	LE 6-ADJ	LE 6-ADJ U	LE 6-ADJ UU			
8	LE 8	LE 8-U	LE 8-UU	LE 8-ADJ	LE 8-ADJ U	LE 8-ADJ UU			
10	LE10	LE10-U	LE10-UU	LE10-ADJ	LE10-ADJ U	LE10-ADJ UU			
12	LE12	LE12-U	LE12-UU	LE12-ADJ	LE12-ADJ U	LE12-ADJ UU			
16	LE16	LE16-U	LE16-UU	LE16-ADJ	LE16-ADJ U	LE16-ADJ UU	LE16-OP	LE16-OP U	LE16-OP UU
20	LE20	LE20-U	LE20-UU	LE20-ADJ	LE20-ADJ U	LE20-ADJ UU	LE20-OP	LE20-OP U	LE20-OP UU
25	LE25	LE25-U	LE25-UU	LE25-ADJ	LE25-ADJ U	LE25-ADJ UU	LE25-OP	LE25-OP U	LE25-OP UU
30	LE30	LE30-U	LE30-UU	LE30-ADJ	LE30-ADJ U	LE30-ADJ UU	LE30-OP	LE30-OP U	LE30-OP UU
40	LE40	LE40-U	LE40-UU	LE40-ADJ	LE40-ADJ U	LE40-ADJ UU	LE40-OP	LE40-OP U	LE40-OP UU
50	LE50	LE50-U	LE50-UU	LE50-ADJ	LE50-ADJ U	LE50-ADJ UU	LE50-OP	LE50-OP U	LE50-OP UU

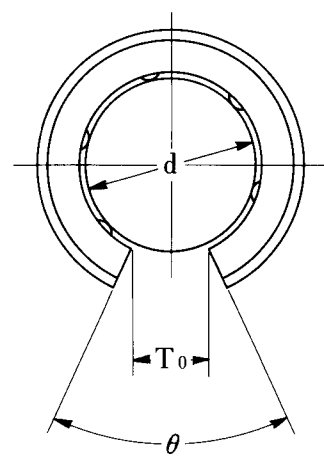
LE



LE-ADJ



LE-OP



Major Dimensions (mm)										Number of Ball Circuits		Weight	Basic Load Ratings			
d	D		L	ℓ	w	D ₀	T	T ₀	θ	L ADJ	OP	(kgf)	C	C ₀		
6	+0.008 0	12	0	19	11	+0.27 0	1.15	11.5	1.5			4	0.007	7	11	
8		16	-0.008	25			14	1.15	15.2	1.5				4	0.014	11
10		19	0 -0.009	29	20	+0.33 0	1.35	18.0	1.5				4	0.026	20	30
12		22		32			22	1.35	21.0	1.5					4	0.032
16	+0.009 -0.001	26	0 -0.011	36	28	+0.39 0	1.35	24.9	1.5	10.0	60°	5	4	0.07	46	76
20		32		45			40	1.65	30.3	2.0	10.0	60°	5	4	0.09	52
25	+0.011 -0.001	40	0 -0.013	58	48	+0.46 0	1.9	38.0	2.0	12.5	60°	6	5	0.24	102	187
30		47		68			56	1.9	45.5	3.0	12.5	50°	6	5	0.31	148
40	+0.013 -0.002	62	0 -0.013	80	72	+0.46 0	2.2	59.0	3.0	16.8	50°	6	5	0.61	280	400
50		75		100			72	2.7	72.0	3.0	21.0	50°	6	5	1.12	402