

Table 75 : GH Series Dimensions Table

Model No.	Ass'y Dimensions (mm)				Housing Dimensions (mm)						Rail Dimensions (mm)						Basic Load Ratings (kgf)	
	d	h	H ± 0.02	T 0 ± 0.025	W	L	w	ℓ	t ₁	S ₁	T	ℓ_2	t ₂	S ₂	G	P	C	C ₀
GH-20	20	27	50	4	48	50	35	35	8	M5×10	40	30	8	M5	50	100	52	103
GH-25	25	32	60	5	60	65	40	40	10	M6×10	50	35	9	M6	50	100	104	193
GH-30	30	37	70	7.5	70	70	50	50	12	M6×13	55	40	10	M6	50	100	148	226

* Materials : Housing FC25, Shaft SUJ-2, Supporter S45C

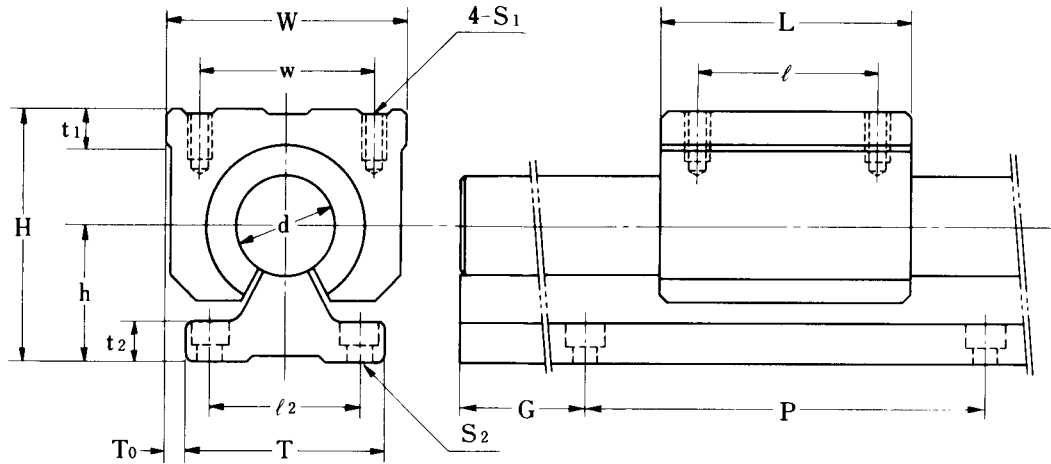


Table 78 : GHC Series Dimensions Table

Model No.	Ass'y Dimensions (mm)				Housing Dimensions (mm)						Rail Dimensions (mm)						Basic Load Ratings (kgf)	
	d	h	H ± 0.2	T ± 0.2	W	L	w	l	t ₁	S ₁	T	l ₂	t ₂	S ₂	G	P	C	C ₀
GHC-20	20	27	50	4	48	50	35	35	8	M5×10	40	30	8	M5	50	100	52	103
GHC-25	25	32	60	5	60	65	40	40	10	M6×10	50	35	9	M6	50	100	104	193
GHC-30	30	37	70	7.5	70	70	50	50	12	M6×13	55	40	10	M6	50	100	148	226

* Materials : Housing FC25, Shaft SUJ-2, Supporter S45C