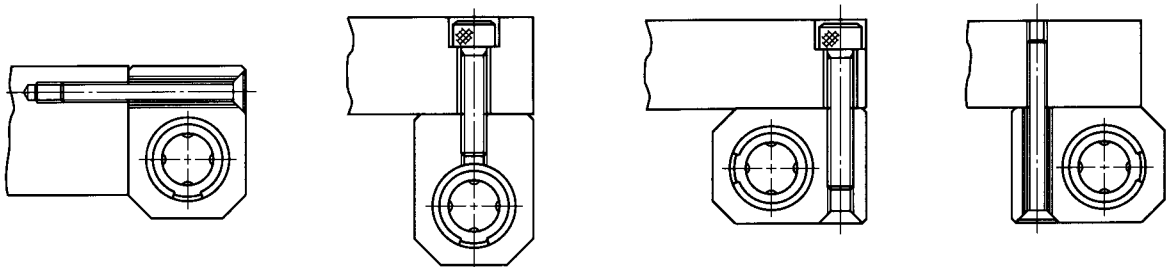


Table 44 : Miniature CH Series Dimensions Table

Model No.	Major Dimensions (mm)								Setting Bolts		Model No. of Linear Bearing	Weight (kgf)	Basic Load Ratings		
	d	H	$h^{\pm 0.02}$	t	W	$T^{\pm 0.02}$	L	ℓ	S ₁	S ₂			C (kgf)	C ₀ (kgf)	
CH3 MCH3	3	0 -0.008	14	9	3	10	5	14	8	M3	M2	L3 ML3	0.006	2	4
CH4 MCH4	4		16	10	3	12	6	16	10	M3	M2	L4 ML4	0.009	3	6
CH5 MCH5	5		18	11	3	14	7	19	12	M3	M2	L5 ML5	0.013	4.5	9



Most compact aluminum linear bearing housing which installed one linear bearing called CH series and two linear bearings called CHW series, we have also Non-Rust models (M series). Setting method is designed very flexible.

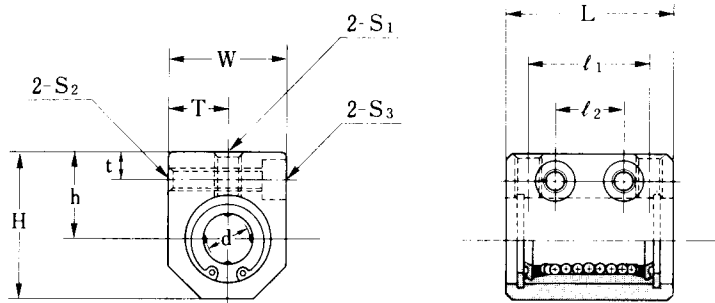
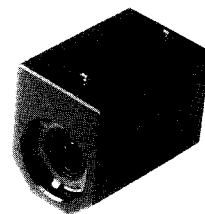


Table 45 : CH, MCH Series Dimensions Table

Standard Non-Rust	Major Dimensions (mm)							Setting Bolts			Model No. of Linear Bearing	Weight (kgf)	Basic Load Ratings				
	d	H	h ± 0.02	t	W	T ± 0.02	L	ℓ_1	ℓ_2	S ₁			S ₂	S ₃	C	C ₀	
CH6 MCH6	6	0 -0.009	22	14	5	16	8	26	18	9	M4	M4	M3	L6-UU ML6-UU	0.023	7	11
CH8 MCH8	8		26	16	5	20	10	30	20	10	M5	M4	M3	L8B-UU ML8-UU	0.040	11	16
CH10 MCH10	10		32	19	6	26	13	37	27	15	M6	M5	M4	L10-UU ML10-UU	0.075	20	30
CH12 MCH12	12		34	20	6	28	14	39	27	15	M6	M5	M4	L12-UU ML12-UU	0.090	28	43
CH13 MCH13	13		36	21	6	30	15	42	28	16	M6	M5	M4	L13-UU ML13-UU	0.11	30	52
CH16 MCH16	16		42	24	6	36	18	49	32	18	M6	M5	M4	L16-UU ML16-UU	0.18	46	76
CH20 MCH20	20	0 -0.010	49	28	7	42	21	54	36	22	M6	M6	M5	L20-UU ML20-UU	0.27	52	103
CH25 MCH25	25		61	35	9	52	26	73	48	28	M8	M8	M6	L25B-UU ML25-UU	0.56	104	193
CH30 MCH30	30		67	38	9	58	29	80	52	32	M8	M8	M6	L30A-UU ML30-UU	0.75	148	226
CH35 MCH35	35	0 -0.012	78	45	12	66	33	86	56	32	M10	M10	M8	L35-UU ML35-UU	1.07	167	250
CH40 MCH40	40		88	50	12	76	38	96	66	42	M10	M10	M8	L40-UU ML40-UU	1.56	280	400

